

Owners & Installation

Manual

LISTINGS AND CODE APPROVALS

These gas appliances have been tested in accordance with AS4553, NZS 5262 and have been certified by the Australian Gas Association for installation and operation as described in these Installation and Operating Instructions.

Your unit should be serviced annually by an authorised service person.



Freestanding Gas Stove

Models: FG39-NG1
FG39-LPG1



PLEASE KEEP THESE INSTRUCTIONS FOR FUTURE REFERENCE

WARNING:

Improper installation, adjustment, alteration, service or maintenance can cause injury or property damage. Refer to this manual. For assistance or additional information consult an authorized installer, service agency or the gas supplier.

FOR YOUR SAFETY

Do not store or use gasoline or other flammable vapours and liquids in the vicinity of this or any other appliance.

Installation and service must be performed by an authorized installer, service agency or the gas supplier.

FOR YOUR SAFETY

What to do if you smell gas:

- Do not try to light any appliance
- Do not touch any electrical switch: do not use any phone in your building.
- Immediately call your gas supplier from a neighbour's phone. Follow the gas supplier's instructions.
- If you cannot reach your gas supplier, call the fire department.

To the New Owner:

Congratulations! You are the owner of a state-of-the-art Regency Room Sealed Gas Stove by FPI Fireplace Products International Ltd. The Regency Gas Series of hand crafted appliances has been designed to provide you with all the warmth and charm of a woodstove. The models FG39-NG and FG39-LPG of this series has been approved by AGA. As it also bears our own mark, it promises to provide you with economy, comfort and security for many trouble free years to follow. Please take a moment now to acquaint yourself with these instructions and the many features of your Regency Room Sealed Freestanding Gas Stove.



UNIT SPECIFICATIONS

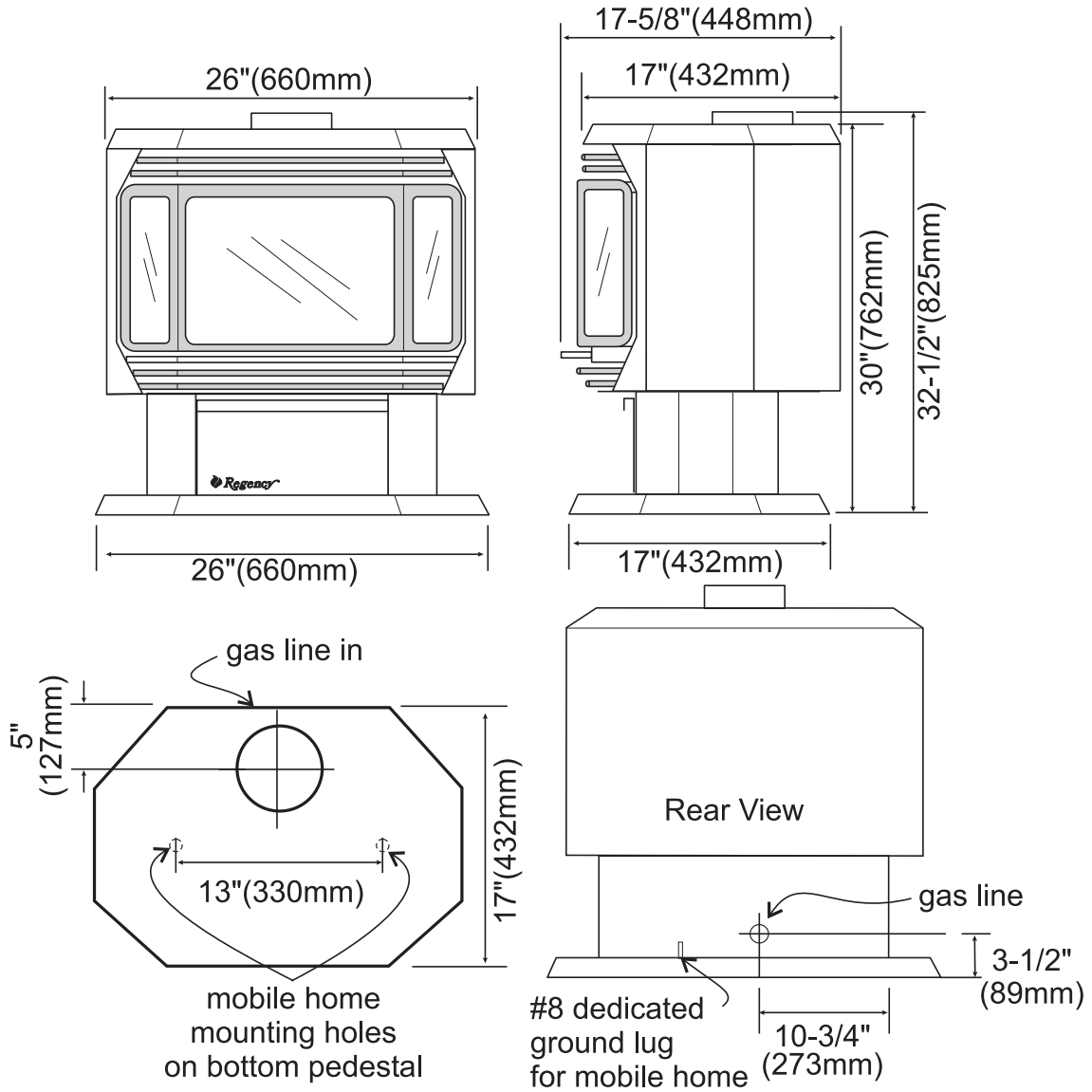


TABLE OF CONTENTS

Safety Label

Safety Label.....	5
-------------------	---

Installation

Specifications	3
Before You Start	6
General Safety Information.....	6
Installation Checklist.....	7
Clearances to Combustibles.....	7
Locating Your Regency Gas Stove.....	7
Combustion and Ventilation Air.....	7
Louver Installation	8
Flueing Introduction.....	8
Installation Precautions	8
Safety Precautions for the Installer.....	8
Exterior Flue Termination Locations	9
Flueing Arrangements - Horizontal	
Terminations: All Systems	10
Flueing Arrangements - Vertical Terminations	10
- Straight Vertical.....	10
- Offset Vertical.....	10
Flue Restrictor Position	10
DV Stove Horizontal Flue Kit	11
Dura-Flue Termination Kit.....	13
Planning Your Dura-Flue Installation	13
Dura-Flue Flueing Components Parts List	13
Dura-Flue Horizontal Installation	14
Dura-Flue Vertical Termination Installation	15
Offset Chart	16
Cathedral Ceiling Installations.....	16
Support Extension - Round or Square.....	16
Gas Connection.....	17
Gas Pipe Pressure Testing.....	17
Valve Description.....	17
Aeration Adjustment	17
System Data Chart	17
Conversion from NG to LPG.....	18
Conversion to Lower BTU	20
Log Installation	20
Front Door Installation	22
Optional Remote Control	22
Final Check.....	22
Wiring Diagram.....	23

Operating Instructions

Operating Instructions	24
Lighting Instructions.....	24
Resetting the Unit.....	24
Shutdown Instructions	24
First Fire	24
Fan Operation.....	24
Adjusting Flame Height	24
Summary of Controls.....	25
Pilot Adjustment.....	25
Normal Operating Sounds of Gas Appliances.....	25
Copy of Lighting Plate Instructions.....	26

Maintenance

Maintenance Instructions.....	27
Log Replacement	27
Door Gasket	27
Latch Adjustment.....	27
Glass Replacement	28
Fan Maintenance	28
Removing Valve Tray.....	29

Parts List

Electronic Components	30
Main Assembly	31
Burner and Log Assembly	32
Door Assembly	33


Warranty

Warranty	35
----------------	----


This is a copy of the label that accompanies each REGENCY FG39 Freestanding Gas Stove. We have printed a copy of the contents here for your review. The data plat is located on the inside of the drop down pedestal door.

NOTE: Regency units are constantly being improved. Check the label on the unit and if there is a difference, the label on the unit is the correct one.

Regency Gas Fireplace

Model	<input type="radio"/>	<input type="radio"/>	Distributed by: Western Australia: Air Group Australia 28 Division St Welshpool, WA 6106 Eastern Australia: Fireplace Products Australia Pty. Ltd. 1 Conquest Way Hallam, VIC 3803 To be installed by an authorised person in accordance with installation instructions provided with the appliance.
Gas Type	NG	LPG	
Model	FG39-NG	FG39-LPG	
Gas Consumption	40mj.	38mj.	
Manifold Pressure	.94kPa	2.55kPa	
Injector Size	1x#32 2.95mm	1x#50 1.78mm	
Approval No. AGA 6240 G Code AS4553			
Electrical: 240VAC 50Hz 1.0 amp max.		 N2134	Serial Number 261

918-279c



DO NOT OPERATE THIS APPLIANCE BEFORE READING THE INSTRUCTIONS BOOKLET.

DO NOT PLACE ARTICLES ON OR AGAINST THIS APPLIANCE

DO NOT STORE CHEMICALS OR FLAMMABLE MATERIALS NEAR THIS APPLIANCE.

DO NOT SPRAY AEROSOLS IN THE VICINITY OF THIS APPLIANCE WHILE IN OPERATION.

DO NOT OPERATE WITH PANELS, COVERS OR GUARDS REMOVED FROM THIS APPLIANCE.

DO NOT ENCLOSE THIS APPLIANCE.

DO NOT MODIFY THIS APPLIANCE.

908-602a

THE GUARD IS FITTED TO THIS APPLIANCE TO REDUCE THE RISK OR FIRE OR INJURY FROM BURNS AND NO PART OF IT SHOULD BE PERMANENTLY REMOVED.

FOR PROTECTION OF YOUNG CHILDREN OR THE INFIRM, A SECONDARY GUARD IS REQUIRED.

(Australia Only)

INSTALLATION

IMPORTANT: SAVE THESE INSTRUCTIONS

The REGENCY Room Sealed Freestanding Gas Stove must be installed in accordance AG601 and NZS 5261 and with these instructions. Carefully read all the instructions in this manual first. Consult the building authority having jurisdiction to determine the need for a permit prior to starting the installation.

Note: Failure to follow the instructions could cause a malfunction of the heater which could result in death, serious bodily injury, and/or property damage. Failure to follow these instructions may also void your fire insurance and/or warranty.

Note: These instructions take precedence over Simpson Dura-Flue instructions.

SPECIFICATIONS

Fuels: FG39-NG1 is approved for use with NG.

FG39-LPG1 is approved for use with liquefied petroleum gases (LPG).

Electrical: 240V A.C. system.

Circulation Fan: Variable speed, 125/75.

Log Sets: Ceramic fibre, 7 per set.

Flue System: Coaxial (6-5/8" outer / 4" inner liner) rigid flue and termination cap.

BEFORE YOU START

Safe installation and operation of this appliance requires common sense, however, we are required by the Canadian Safety Standards and ANSI Standards to make you aware of the following:

INSTALLATION AND REPAIRS SHOULD BE DONE BY AN AUTHORIZED SERVICE PERSON. THIS APPLIANCE SHOULD BE INSTALLED, REPAIRED, INSPECTED BEFORE USE AND AT LEAST ANNUALLY BY AN AUTHORIZED SERVICE PERSON. MORE FREQUENT CLEANING MAY BE REQUIRED DUE TO EXCESSIVE

LINT FROM CARPETING, ETC. IT IS IMPERATIVE THAT THE CONTROL COMPARTMENT, BURNERS AND CIRCULATING AIR PASSAGEWAYS OF THE APPLIANCE BE KEPT CLEAN.

DUE TO HIGH TEMPERATURES, THE APPLIANCE SHOULD BE LOCATED OUT OF TRAFFIC AND AWAY FROM FURNITURE AND DRAPERIES.

WARNING: FAILURE TO INSTALL THIS APPLIANCE CORRECTLY WILL VOID YOUR WARRANTY AND MAY CAUSE A SERIOUS HOUSE FIRE.

CHILDREN AND ADULTS SHOULD BE ALERTED TO THE HAZARDS OF HIGH SURFACE TEMPERATURES, ESPECIALLY THE FIRE-PLACE GLASS, AND SHOULD STAY AWAY TO AVOID BURNS OR CLOTHING IGNITION.

YOUNG CHILDREN SHOULD BE CAREFULLY SUPERVISED WHEN THEY ARE IN THE SAME ROOM AS THE APPLIANCE.

CLOTHING OR OTHER FLAMMABLE MATERIAL SHOULD NOT BE PLACED ON OR NEAR THE APPLIANCE.

- 1) Provide adequate clearances for servicing, proper operation and around the air openings into the combustion chamber.
- 2) The appliance may be installed on a flat, solid, continuous surface (e.g. wood, metal, concrete). This may be the floor, or it can be raised up on a platform to enhance its visual impact. The appliance may be installed on carpeting, tile, wood flooring or other combustible material, because the appliance's metal pedestal base extends the full width and depth of the appliance. The Regency Room Sealed Freestanding Gas Stove can be installed in a wide variety of ways and will fit nearly any room layout. It may be installed in a recessed position, framed out into the room, or across a corner.
- 3) The Regency Room Sealed Freestanding Gas Stove is approved for alcove installations, which meet the clearances listed on

page 6. This unit is approved for manufactured home installations, see page 9 for the required flue arrangements. If installed into a manufactured home the unit must be bolted down to the floor.

- 4) This appliance is Listed for bedroom installations when used with a Listed Millivolt Thermostat. Some areas may have further requirements, check local codes before installation.
- 5) This appliance is Listed for Alcove installations, maintain minimum Alcove clearances as follows, minimum width of 48" (1219mm), a maximum depth of 36" (914mm), and minimum ceiling height of 64" (1626mm).
- 6) We recommend that you plan your installation on paper using exact measurements for clearances and floor protection before actually installing this appliance. Have an authorized building inspector review your plans before installation.

GENERAL SAFETY INFORMATION

- 1) The appliance shall be installed in accordance with the manufacturer's installation instructions, local gas fitting regulations, municipal building codes, water supply regulations, electrical wiring regulations, with AS5601-2004 (AGA gas installation code) NZS 5261 (New Zealand)
- 2) Installation and repair should be done ONLY by an authorised person.
- 3) DO NOT CONNECT TO MASONRY FLUE.
- 4) This appliance must be connected to the specified flue and termination cap to the outside of the building envelope. Never flue to another room or inside a building. Make sure that the flue is fitted as per Flueing instructions.
- 5) Inspect the flueing system annually for blockage and any signs of deterioration.
- 6) Flueing terminals shall not be recessed into a wall or siding.
- 7) Any safety glass removed for servicing must be replaced prior to operating the appliance.
- 8) To prevent injury, do not allow anyone who is unfamiliar with the operation to use the fireplace.
- 9) Wear gloves and safety glasses for protection while doing required maintenance.

INSTALLATION

- 10) Be aware of electrical wiring locations in walls and ceilings when cutting holes for termination.
- 11) Under no circumstances should this appliance be modified. Parts that have to be removed for servicing should be replaced prior to operating this appliance.
- 12) Installation and any repairs to this appliance should be done by an authorised service person. An authorised service person should be called to inspect this appliance annually. Make it a practice to have all of your gas appliances checked annually.
- 13) Do not slam shut or strike the glass door.
- 14) Under no circumstances should any solid fuels (wood, paper, cardboard, coal, etc.) be used in this appliance.
- 15) The appliance area must be kept clear and free of combustible materials, (gases and other flammable vapours and liquids).

- 2) If required, adjusting the primary air to ensure that the flame does not carbon. First allow the unit to burn for 15-20 min. to stabilize.

CAUTION: Any alteration to the product that causes sooting or carboning that results in damage is not the responsibility of the manufacturer.

CLEARANCES TO COMBUSTIBLES

The clearances listed are MINIMUM distances. Measure the clearance to both the appliance and the chimney connector. **The farthest distance is correct if the two clearances do not coincide.**

For example, if the appliance is set as indicated in one of the figures but the connector is too close, move the stove until the correct clearance to the connector is obtained.

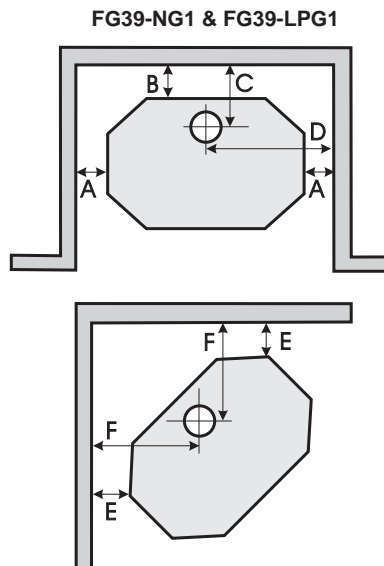
This appliance may be installed only with the clearances as shown in the situations pictured. **Do not combine clearances from one type of installation with another in order to achieve closer clearances.**

This unit can be installed on a solid combustible surface like a wood floor. This unit can also be installed directly on carpeting or vinyl when the bottom pedestal cover plate (provided with unit) is installed.

Use the minimum clearances shown in the diagrams below:

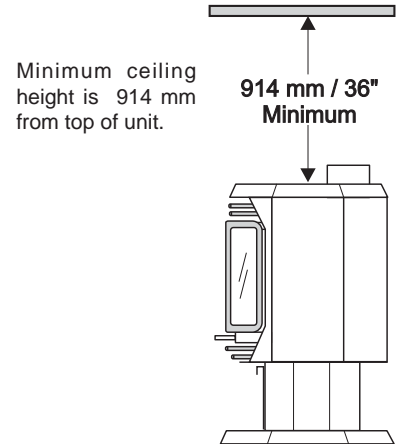
FG39-NG1 & FG39-LPG1 Clearances

A Side Wall to Unit	190 mm
B Back Wall to Unit	150 mm
E Side Wall to Unit	50 mm



Reference Dimensions

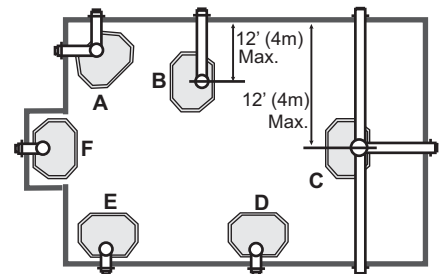
- C Back Wall to Flue Centerline 11" / 280 mm
- D Side Wall to Flue Centerline 521 mm
- F Side Wall to Flue Centerline 280 mm



LOCATING YOUR REGENCY GAS STOVE

When selecting a location for your stove, ensure that the clearances listed above are met as well as ensuring that there is adequate accessibility for servicing and proper operation.

- A) Cross Corner
- B) Room Divider
- C) Island
- D) Flat on Wall
- E) Flat on Wall Corner
- F) Flush with Wall/ Alcove



For Flue Termination requirements, see page 8.

COMBUSTION AND VENTILATION AIR

The combustion air from this appliance is drawn from outside the building through the outer flue. **Extra provision for combustion air inside the room is not required.**

INSTALLATION CHECKLIST

- 1) Check Clearances to Combustibles, location of unit and fluing requirements.
- 2) Install Louvers.
- 3) Install fluing, either with the DV Stove Horizontal Flue Kit or the Dura-Flue Termination kits. Set Flue Restrictors.
- 4) Make gas connections. Test the pilot. Must be as per diagram.
- 5) If necessary, convert to LPG or convert to lower Btu rating.
- 6) Test Gas Pressure.
- 7) Install log set.
- 8) Install Front Door Front.
- 9) Install optional Remote Control.
- 10) Final check.

Before leaving this unit with the customer, the installer must ensure that the appliance is firing correctly and **operation fully explained to customer.**

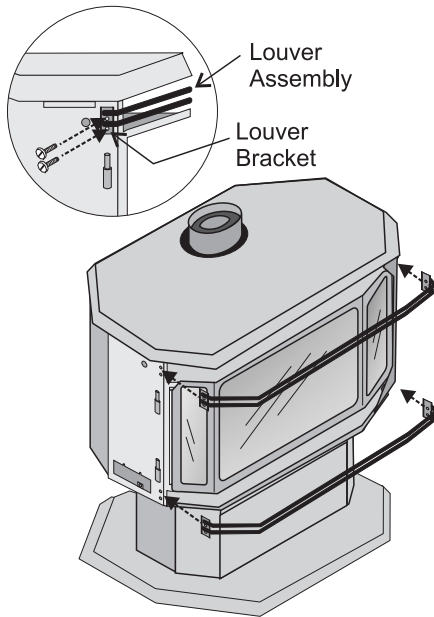
This includes:

- 1) Clocking the appliance to ensure the correct firing rate (rate noted on label) after burning appliance for 15 minutes.

INSTALLATION

LOUVER INSTALLATION

- 1) Attach the top & bottom louvers to the side stove panel using 2 screws per side.



FLUEING INTRODUCTION

The DV Stove Horizontal Flue Kit and the Simpson Dura-Flue Room Sealed System Model DV-GS fluing systems, in combination with the Regency Room Sealed Freestanding Gas Stove, FG39-NG1, and FG39-LPG1, have been tested and listed as direct flue heater systems by AGA.

These units use the "balanced flue" technology Co-Axial system. The inner liner flues products of combustion to the outside while the outer pipe draws outside combustion air into the combustion chamber thereby eliminating the need to use heated room air for combustion and losing warm room air up the chimney.

Note: These flue pipes must not be connected to any other appliance.

The gas appliance and flue system must be flued directly to the outside of the building, and never be attached to a chimney serving a separate solid fuel or gas burning appliance. Each direct flue gas appliance must use its own separate flue system. Common flue systems are prohibited.

IMPORTANT

Read all instructions carefully before starting the installation. Failure to follow these instructions may create a fire or other safety hazard, and will void the warranty. Be sure to check the fluing and clearance to combustible requirements. Consult your local building codes before beginning installation.

The location of the termination cap must conform to the requirements in the Exterior Flue Termination Locations diagram on page 8.

INSTALLATION PRECAUTIONS

These fluing systems are engineered products that have been designed and tested for use with the FG39-NG1, and FG39-LPG1. The warranty will be voided and serious fire, health or other safety hazards may result from any of the following actions:

- 1) Installation of any damaged Room Sealed component
- 2) Unauthorized modification of the Room Sealed System
- 3) Installation of any component part not manufactured or approved by Simpson Dura-Flue or FPI Fireplace Products International Ltd.
- 4) Installation other than as instructed by Simpson Dura-Flue and FPI Fireplace Products International Ltd.

Warning: Always maintain required clearances (air spaces) to nearby combustibles to prevent a fire hazard. Do not fill air spaces with insulation.

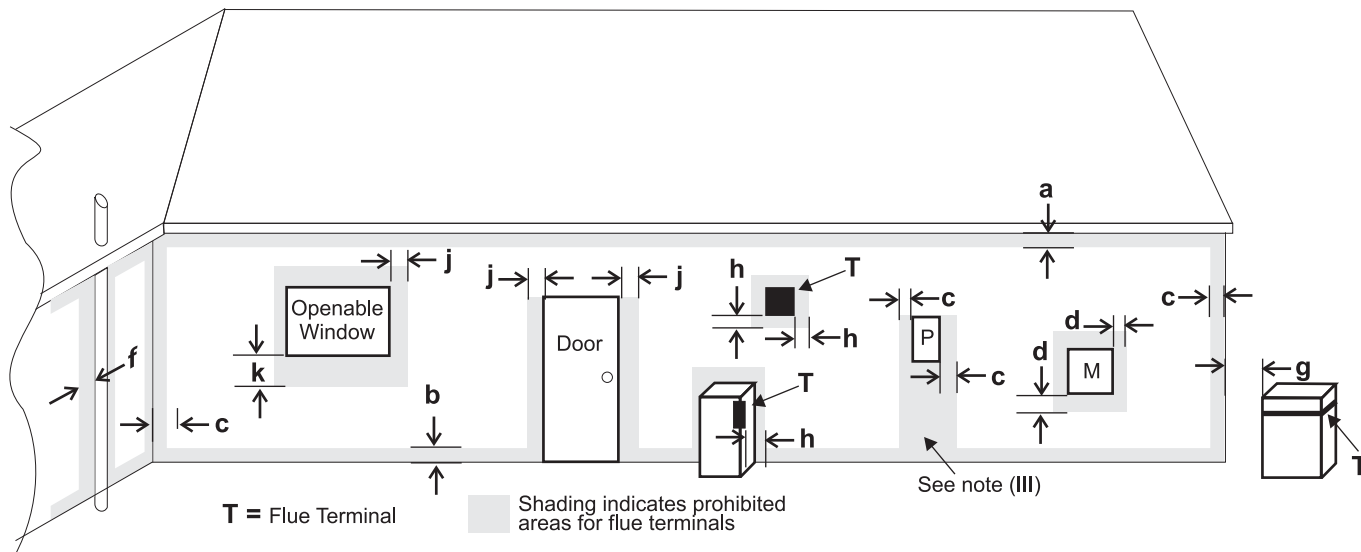
Be sure to check the flue termination clearance requirements from decks, windows, soffits, gas regulators, air supply inlets and public walkways as specified in the Exterior Flue Terminal Locations on page 8 and in your local building codes.

The gas appliance and flue system must be flued directly to the outside of the building, and never be attached to a chimney serving a separate solid fuel or gas-burning appliance. Each direct flue gas appliance must use its own separate flue system. Common flue systems are prohibited.

SAFETY PRECAUTIONS FOR THE INSTALLER

- 1) Wear gloves and safety glasses for protection.
- 2) Exercise extreme caution when using ladders or on roof tops.
- 3) Be aware of electrical wiring locations in walls and ceilings.

EXTERIOR FLUE TERMINATION LOCATIONS



Minimum clearances required for balanced flue terminals or the flue terminals of outdoor appliances according to AS5601-2004 (AGA gas installation code) or NZS 5261 (New Zealand)

	Minimum Clearance (mm)
a Below eaves, balconies or other projections:	
- Appliances up to 50 MJ/h input	300
- Appliances over 50 MJ/h input	500
b From the ground or above a balcony	300
c From a return wall or external corner	500
d From a gas meter (M)	1000
e From an electricity meter or fuse box (P)	500
f From a drain or soil pipe	150
g Horizontal from any building structure (unless appliance is approved for closer installation) or obstruction facing a terminal	500
h From any other flue terminal, cowl or combustion air intake	500
j Horizontally from an openable window, door, or non-mechanical air inlet, or any other opening into a building, with the exception of sub-floor ventilation (see also Note (I)):	
- Appliances up to 150 MJ/h input	500
- Appliances over 150 MJ/h input	1500
k Vertically below an openable window, door, or non-mechanical air inlet, or any other opening into a building, with the exception of sub-floor ventilation (see also Note (I)): see table below	

Clearance 'k' in mm			
Space Heaters	All Other Appliances		
Up to 50 MJ/h input	Up to 50 MJ/h input	Over 50 MJ/h input to 150 MJ/h input	Over 150 MJ/h input
150	500	1000	1500

NOTES:

- (I) For mechanical air inlets, including spa blowers, the clearance 'j' and 'k' shall be 1500 mm in all cases.
- (II) All distances shall be measured vertically or horizontally along the wall to a point in line with the nearest part of the terminal.
- (III) Prohibited area below electricity meter or fuse box extends to ground level.
- (IV) A flue terminal of this type shall not be located under a roofed area unless the roofed area is fully open on at least two sides and a free flow of air at the appliance is achieved.

INSTALLATION

FLUEING ARRANGEMENTS

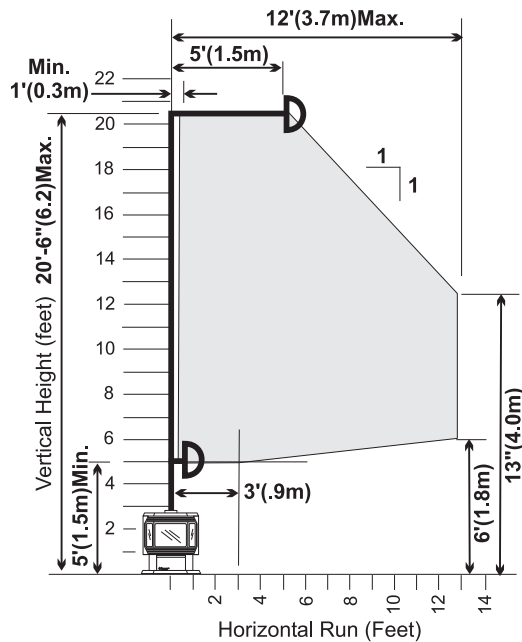
Horizontal Terminations for All Fluing Systems

The shaded areas in the diagram below show all allowable combinations of vertical runs with horizontal terminations. Maximum one 90° elbow (two 45° elbows equal one 90° elbow).

LPG and NG: Residential, Manufactured and Mobile Homes Installations

The fluing arrangements diagrammed below, have a min. of 75% (flue loss) efficiency with Fan Off, as required for manufactured homes. (Actual efficiency may be as high as 85%)

May be installed in Manufactured (Mobile) Homes after first sale.

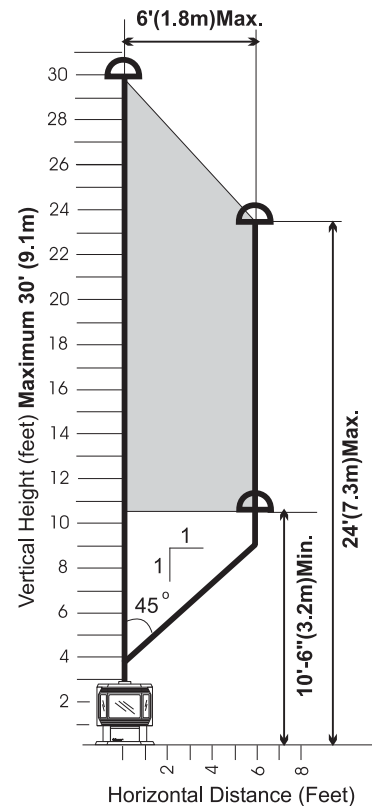


Vertical Terminations Using Dura-Flue Fluing System for Residential Manufactured and Mobile Homes

The shaded area in the diagram below shows all allowable combinations of straight vertical and offset to vertical runs with vertical terminations. Maximum two 45° elbows.

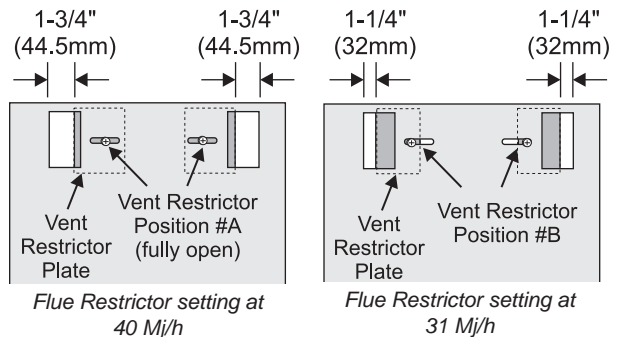
If the flue is ENCLOSED in a chase (min. size 9" x 9" / 229mm x 229mm) maintain a 1-1/4" (32mm) clearance to combustibles.

May be installed in Manufactured (Mobile) Homes after first sale.



Flue Restrictor Position

To set the Flue restriction as indicated in the diagram, simply loosen the screws and push the flue restrictor plate to the correct position. Tighten the screws.



DV STOVE HORIZONTAL FLUE KIT

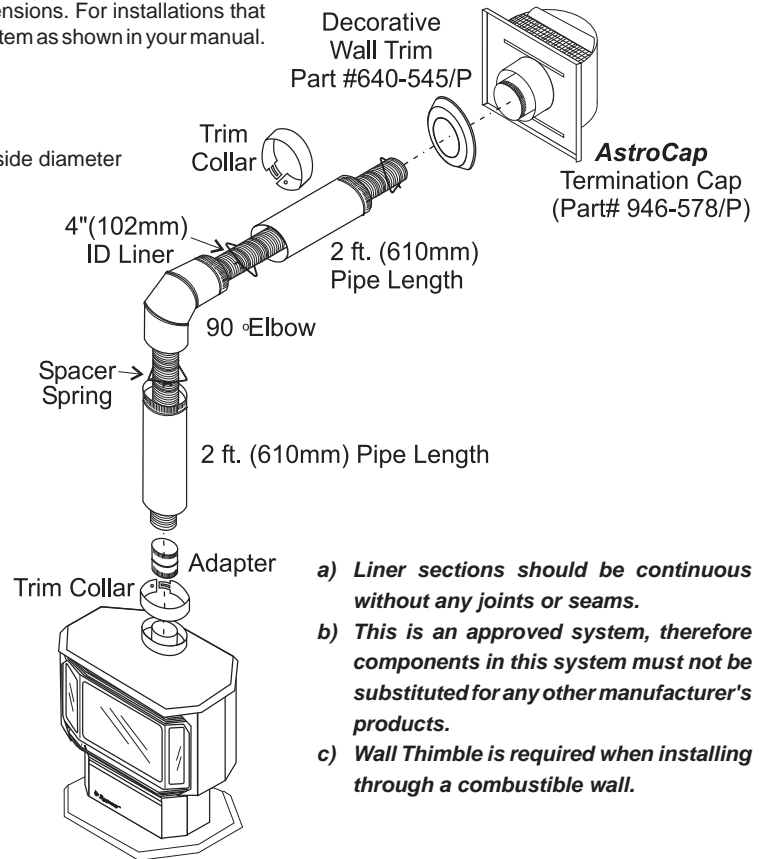
Horizontal Stove Flue Kit (Part # 946-112) includes all the parts needed to install the FG39 Free-standing Gas unit with minimum horizontal and vertical vent dimensions. For installations that require longer vertical and/or horizontal vents use the Dura-Vent system as shown in your manual.

Qty.	Description
1) 2	Rigid Pipe Section 1.2m length, 165mm inside diameter
2) 1	Flex Liner, compressed aluminium 2 ply liner, 102mm inside diameter
3) 4	spring spacers
4) 1	90 deg. Elbow
5) 1	Decorative Wall Trim
6) 1	Adapter
7) 1	AstroCap Termination Cap
8) 2	Trim Collar
9) 1	tube of Mill-Pac, high temperature sealant
10) 12	Screws, #8 x 1/2" (13mm) Self tapping, Stainless Steel
11) 14	Screws, #8 x 1/2" (13mm) Self tapping, Black
12) 4	Screws #8 x 1-1/2" (38mm) Drill Point, Stainless Steel

Optional:

946-206 Vinyl Siding Standoff for **AstroCap**

Note:



- Liner sections should be continuous without any joints or seams.
- This is an approved system, therefore components in this system must not be substituted for any other manufacturer's products.
- Wall Thimble is required when installing through a combustible wall.

DV STOVE HORIZONTAL FLUE KIT (#946-112) INSTALLATION

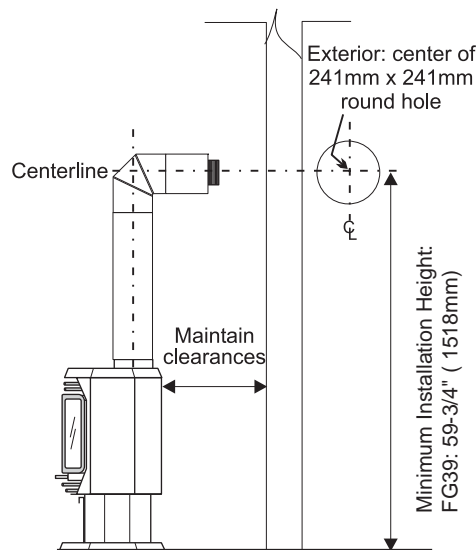
Review the following sequence of instructions which are typical of most installations. The sequence may vary depending on wall thickness. Refer to flue location and clearance dimensions.

- Set the unit in its desired location. Check to determine if wall studs will be in the way of the fluing system, adjust location until all clearances are met and there are no obstructions.

Note: A 1-1/2" (38mm) clearance around the outer pipe must be maintained except that only a 1" (25mm) clearance is needed at the termination end.

IMPORTANT:

Do not locate termination hood where excessive snow or ice buildup may occur. Be sure to check flue termination area after snow falls, and clear to prevent accidental blockage of fluing system. When using snow blowers, make sure snow is not directed towards flue termination area.



- Assemble a **trial fit** to determine the vertical center-line for the flue termination.

- Cut a 241mm round hole on both the interior and exterior wall.
- Attach the 2 ft. (.6m) pipe section to the flue terminal and slide into position from the exterior. **The larger diameter end of the adjustable pipe goes to the flue terminal.**
- Install the 90° elbow onto the adjustable pipe to determine the vertical centerline of the starter collar on the unit.

Note: if the centerline cannot be met, the adjustable sections will have to be cut.

INSTALLATION

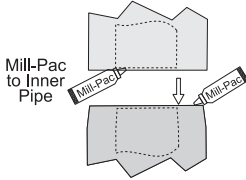
d) Cut the 2 ft. (.6m) section of rigid pipe to length. Ensure that the pipe length when cut will seat onto both the starter collar and the 90° elbow. **Crimped section of rigid pipe seats into the 90° elbow. Only cut the uncrimped side of pipe.**

Dismantle all pipe sections including flue terminal.

3) Attach the 4" (102mm) dia. flex liner to the flue terminal ensuring that the flex overlaps the collar of the flue terminal by a minimum of 1-3/8" (35mm). Use Mill-Pac to seal and secure with 3 of the #8 x 1/2" (13mm) screws (stainless steel).

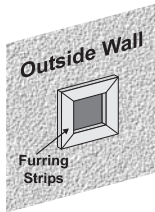
4) Attach the 2 ft. (.6m) pipe section to the flue terminal using Mill-Pac and/or high temperature silicone and attach with 3 of the #8 x 1/2" (13mm) screws (stainless steel).

Hint: Apply the sealant (Mill-Pac and/or high temperature silicone) to the outer pipe before connecting the inner pipe.



Note: The pipe seam should be facing down.

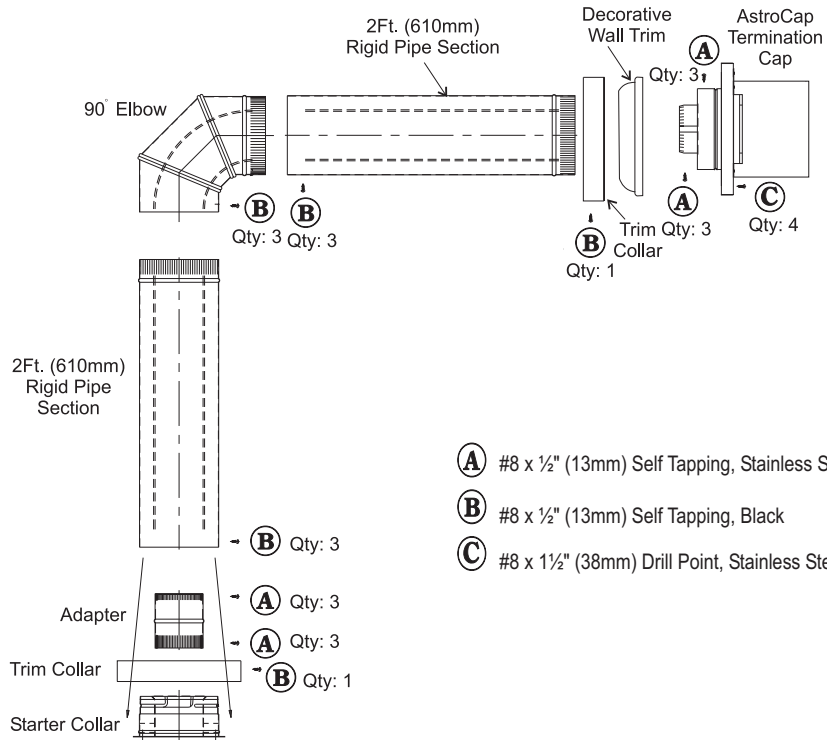
Note: To make the installation more aesthetically pleasing, we recommend framing out a square that the cap can be mounted on.



Note: If installing termination on a siding covered wall, a vinyl siding standoff or furring strips must be used to ensure that the termination is not recessed into the siding. For vinyl siding standoff installation refer to the Dura-Flue Termination instructions.

5) Slide the partially connected pipe and flue terminal assembly through the wall (from the exterior into the interior) and secure the cap to the exterior wall with 4 of the supplied screws (#8 x 1-1/2" (38mm) drill point, stainless steel).

Note: The four screws provided for the flue cap should be replaced with appropriate fasteners for stucco, brick, concrete, or other types of sidings.



- A** #8 x 1/2" (13mm) Self Tapping, Stainless Steel
- B** #8 x 1/2" (13mm) Self Tapping, Black
- C** #8 x 1/2" (38mm) Drill Point, Stainless Steel

6) A bead of non-hardening mastic should be run around both the termination and vinyl siding standoff to prevent water from entering and to make a tight seal between the cap and the standoff.

7) Stretch the 4" (102mm) dia. flex liner out fully and get a trial fit of the liner onto the 4" (102mm) dia. starter collar.

8) Cut the 4" (102mm) dia. flex liner to the desired size.

Hint: leave an extra 12" to 16" (305mm to 406mm) of length, this will make the final assembly easier to work with.

9) Secure the 4" (102mm) dia. flex liner to the 4" (102mm) adapter with Mill-Pac and 3 of the #8 x 1/2" (13mm) screws (stainless steel).

10) Slide the Decorative Wall Cover over the pipe sections.

11) Slide the 90° elbow (crimp end up) and the 2 ft. (.6m) pipe section (crimp end up) over the 4" dia. flex liner.

12) Slide the trim collar over the pipe section to cover the joint.

13) Install the spring spacers onto the pipe sections.

14) Secure the 4" (102mm) dia. flex liner with adapter onto the stove collar. Put a bead of

Mill-Pac around the appliance adapter and secure with 3 screws (#8 x 1/2" / 13mm, stainless steel).

15) Attach the pipe section onto the starter collar by sealing with Mill-Pac and/or high temperature silicone and securing with 3 of the #8 x 1/2" (13mm) (black) screws. Pipe seams should be facing the wall.

16) Attach the 90° elbow onto the pipe section by sealing with Mill-Pac and/or high temperature silicone and securing with 3 of the #8 x 1/2" (13mm) screws (black).

17) Slide the 2 ft. (.6m) pipe section onto the 90° elbow. The flex may have to be compressed back in order for the pipe to properly mate to the elbow. Seal with Mill-Pac and/or high temperature silicone and secure with 3 of the #8 x 1/2" (13mm) screws (black). Pipe seams facing down.

18) Install the trim collar over the starter collar and secure with a #8 x 1/2" (13mm) screw (black).

If the pipe needs to be touched up, use only Stove Brite High Temperature Metallic Black Stove Paint.

NOTE: All inner joints must be sealed with Mill-Pac.

All outer joints may be sealed with high temperature silicone.

DURA-FLUE TERMINATION KIT

Planning Your Dura-Flue Installation

There are two basic types of Dura-Flue Room Sealed System installations: horizontal termination and vertical termination. Confirm the maximum horizontal run and maximum vertical rise from the diagrams on page 9.

When planning your installation, it will be necessary to select the proper length of flue pipe for your particular requirements. For horizontal installations, determine the minimum clearance from the rear of the unit to the wall. It is also important to note the wall thickness. (The wall thimble is suitable for 2 x 4 or 2 x 6 / .6m x 1 m or .6m x 2m wall construction.) Select the amount of vertical rise desired for "vertical-to-horizontal" type installations.

Warning: Always maintain required clearances (air spaces) to nearby combustibles to prevent a fire hazard. Do not fill air spaces with insulation.

The minimum clearance requirements between the outer wall of the flue pipe and nearby combustible surfaces is 32mm. Be sure to check the flue termination clearance requirements from decks, windows, soffits, gas regulators, air supply inlets and public walkways as specified in the Exterior Flue Termination Locations on page 8 and in your local building codes.

To determine the length of flue pipe required for vertical installations, measure the distance from the unit flue outlet to the ceiling, the ceiling thickness, the vertical rise in an attic or second storey, and allow for sufficient vertical height above the roof line.

For multi-storey applications, fire stops are required at each floor level. If an offset is needed, additional pipe, elbows and supports will be required.

Do not exceed the maximum number of elbows. One 90° for horizontal terminations and two 45° for vertical termination.

DURA-FLUE FLUING COMPONENTS

You will require the following components with your new Regency Room Sealed Freestanding Gas Stove. Please review your product to make sure you have everything you need. In the event that you are missing any part, contact your dealer.

Note: *These are the minimum pieces required. Other parts may be required for your particular installation. See below for a list of flue parts.*

If installing termination on a siding covered wall, a vinyl siding standoff or furring strips can be used in order to ensure that the termination is not recessed into siding.

The vinyl siding standoff is required for walls with vinyl siding.

Minimum components for a Dura-Flue Horizontal Installation:

- A) Dura-Flue Horizontal Termination Kit
- B) Wall Thimble (required for combustible walls)

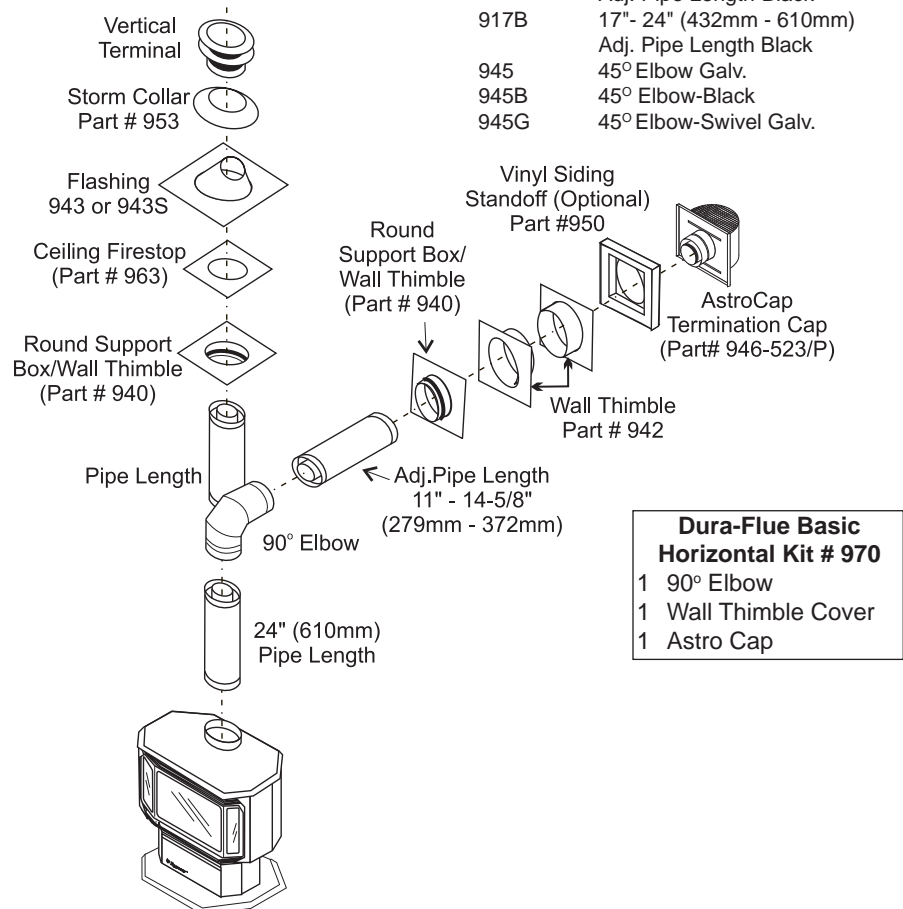
Minimum components for a Dura-Flue Vertical Termination:

- C) Dura-Flue Vertical Termination Kit

The Simpson Dura-Flue Room Sealed System offers a complete line of component parts for installation of both horizontal and vertical installation. Many items are offered in decorative black, as well as galvanized finish. The galvanized pipe and fittings are used for concealed locations such as attics or where corrosion is a factor, such as

above the roof line. Decorative brass trim kits are available for both wall thimbles and ceiling support boxes.

Part #	Description
971	Horiz. Termination Kit includes:
90°	black elbow, wall thimble cover, horiz. square termination cap,
24"	black pipe, 11" -14" 5/8" adjustable black pipe
970	Basic Horiz. Termination Kit includes: 90° black elbow, wall thimble cover, horiz. square termination cap
978	Vert. Termination Kit includes 0/12 - 6/12 pitch adjustable flashing, storm collar, low profile term. cap
908B	6" (152mm) Pipe Length-Black
907B	9" (229mm) Pipe Length-Black
906	12" (304mm) Pipe Length Galv.
906B	12" (304mm) Pipe Length-Black
904	24" (610mm) Pipe Length Galv.
904B	24" (610mm) Pipe Length-Black
903	36" (914mm) Pipe Length Galv.
903B	36" (914mm) Pipe Length-Black
902	48" (1219mm) Pipe Length Galv.
902B	48" (1219mm) Pipe Length-Black
911B	11"-14 5/8" (219mm - 372mm) Adj. Pipe Length-Black
917B	17"- 24" (432mm - 610mm) Adj. Pipe Length Black
945	45° Elbow Galv.
945B	45° Elbow-Black
945G	45° Elbow-Swivel Galv.

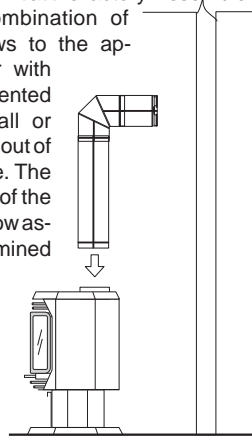


INSTALLATION

990G	90° Elbow-Swivel Galv.
945BG	45° Elbow-Swivel-Black
990	90° Elbow Galv.
990B	90° Elbow-Black
990G	90° Elbow-Swivel Galv.
990BG	90° Elbow-Swivel-Black
991	High Wind Term. Cap (Vertical)
980	Vertical Term. Cap
982	Snorkel-14" Rise Term.Cap
981	Snorkel-36" Rise Term.Cap
940	Wall Thimble-Support/Box
941	Cathedral/Ceiling-Support/Box
3951	Brass Trim-Wall Thimble/ Ceiling Support
963	Firestop Spacer
943	Flashing 0/12-6/12
943S	Flashing 7/12-12/12
953	Storm Collar
950	Vinyl Siding Standoff
988	Wall Strap
942	Wall Thimble
Parts not supplied by Dura-Flue	
946-506/P	Flue Guard (Optional)
948-128	Vinyl Siding Shield
	Astro Cap (Australian)

DURA-FLUE HORIZONTAL INSTALLATIONS

- 1) Set the unit in its desired location. Check to determine if wall studs or roof rafters are in the way when the fluing system is attached. If this is the case, you may want to adjust the location of the unit.
- 2) Room Sealed pipe and fittings are designed with special twist-lock connections to connect the fluing system to the appliance flue outlet. A twist-lock appliance adaptor is installed on the unit at the factory. Assemble the desired combination of pipe and elbows to the appliance adaptor with pipe seams oriented towards the wall or ceiling, as much out of view as possible. The final positioning of the pipe and 90° elbow assembly is determined by the mounting orientation of the adaptor on the stove and twist-locked for a solid connection.



Note:

- a) Twist-lock procedure: Four indentations, located on the female ends of pipes and fittings, are designed to slide straight onto the male ends of adjacent pipes and fittings, by orienting the four pipe indentations so they match and slide in to the four entry slots on the male ends

(diagram 1). Push the pipe sections completely together, then twist-lock one section clockwise approximately one-quarter turn, until the two sections are fully locked. The female locking lugs will not be visible from the outside on the Black Pipe or fittings. They may be located by examining the inside of the female ends. Apply sealant "Mill-Pac" to inner pipe and high temp silicone sealant to outer pipe on every twist-lock joint.

Hint: Apply silicone to female end.

- b) Horizontal runs of flue must be supported every three feet. Wall straps are available for this purpose.
- 3) With the pipe attached to the stove, slide the stove into its correct location, and mark the wall for a 10" x 10" / 254mm x 254mm (inside dimensions) square hole. The center of the square hole should line up with the centerline of the horizontal pipe, as shown in diagram 2. Cut and frame the 10 inch (254mm) square hole in the exterior wall where the flue will

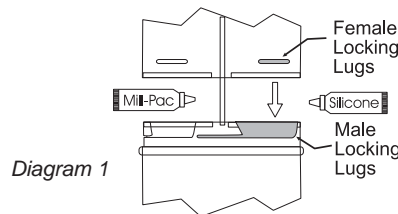


Diagram 1

be terminated. If the wall being penetrated is constructed of non-combustible material, i.e. masonry block or concrete, a 7" (178mm) diameter hole is acceptable.

Note:

- a) The horizontal run of flue should have a 1/4 inch (6mm) rise for every 1 foot (.3m) of run towards the termination. Never allow the flue to run downward. This could cause high temperatures and may present the possibility of a fire.

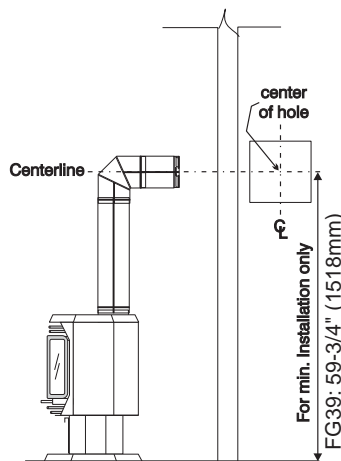


Diagram 2

- b) The location of the horizontal flue termination on an exterior wall must meet all local and national building codes, and must not be blocked or obstructed. For External Flue Termination Locations, see diagram on page 8.

- 4) If installing the flue termination to a wall with vinyl siding, the Vinyl Siding Standoff must be used. Attach the Vinyl Siding Standoff to the Horizontal Flue Termination, but first run a bead of non-hardening mastic around its outside edges, so as to make a seal between flue cap and the standoff. Install the Vinyl Siding Standoff (Part # 950) between the flue cap and the exterior wall and attach with the four wood screws provided. Seal around the Vinyl Siding Standoff on all four sides. Diagram 5. **The arrow on the flue cap should be pointing up.** Insure that the 1-1/4" (32mm) clearances to combustible materials are maintained. See diagram 5.

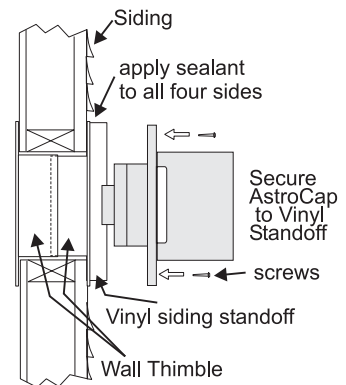


Diagram 5

Note: If installing termination on a siding covered wall, a vinyl siding standoff or furring strips must be used to ensure that the termination is not recessed into the siding. The four wood screws provided should be replaced with appropriate fasteners for stucco, brick, concrete, or other types of sidings.

- 5) Before connecting the horizontal run of flue pipe to the flue termination, slide the black decorative wall thimble cover over the flue pipe, then slide the Wall Thimble (Part # 942) over the flue pipe.
- 6) Slide the appliance and flue assembly towards the wall carefully inserting the flue pipe into the flue cap assembly. It is important that the flue pipe extends into the flue cap a sufficient distance so as to result in a minimum pipe overlap of 1-1/4 inches (32mm). Secure the connection between the flue pipe and the flue cap using sheet metal screws provided. See diagram 6.

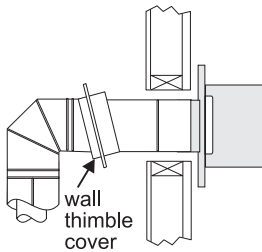


Diagram 6

7) Install the Wall Thimble in the center of the 254mm square and attach with wood screws.

8) Slide the decorative wall thimble up to the wall surface being careful not to scratch the paint and attach with screws provided. Apply decorative brass or chrome trim if desired. See diagram 7.

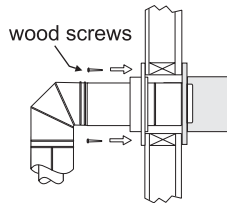


Diagram 7

DURA-FLUE VERTICAL TERMINATION

1) Maintain the 1-1/4" (32mm) clearances (air spaces) to combustibles when passing through ceilings, walls, roofs, enclosures, attic rafter, or other nearby combustible surfaces. Do not pack air spaces with insulation. Check page 9 for the maximum vertical rise of the fluing system and the maximum horizontal offset limitations.

2) Set the gas appliance in its desired location. Drop a plumb bob down from the ceiling to the position of the appliance flue exit, and mark the location where the flue will penetrate the ceiling. Drill a small hole at this point. Next, drop a plumb bob from the roof to the hole previously drilled in the ceiling, and mark the spot where the flue will penetrate the roof. Determine if ceiling joists, roof rafters or other framing will obstruct the fluing system. You may wish to relocate the appliance or to offset, as shown in diagram 9 to avoid cutting load bearing members.

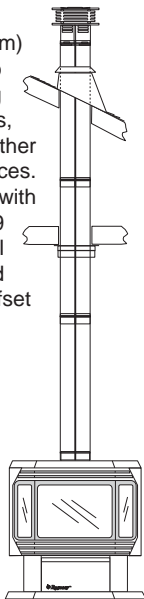


Diagram 8

3) To install the Round Support Box/Wall Thimble in a flat ceiling, cut a 254mm square hole in the ceiling centred on the hole drilled in Step 2. Frame the hole as shown in diagram 10.

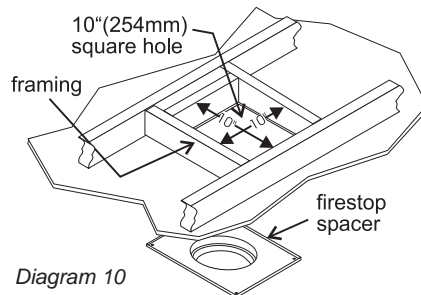


Diagram 10

4) Assemble the desired lengths of black pipe and elbows necessary to reach from the appliance adaptor up through the Round Support Box. Insure that all pipes and elbow connections are in the fully twist-locked position and sealed.

5) Cut a hole in the roof centred on the small drilled hole placed in the roof in Step 2. The hole should be of sufficient size to meet the minimum requirements for clearance to combustibles of 1-1/4" (32mm). Slip the flashing under the shingles (shingles should overlap half the flashing) as per diagram 11.

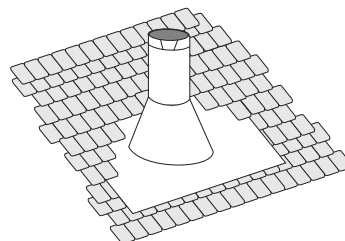


Diagram 11: The upper half of the flashing is installed under the roofing material and not nailed down until the chimney is installed. This allows for small adjustments.

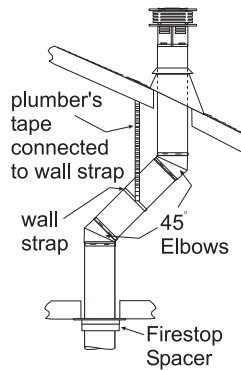


Diagram 9

6) Continue to assemble pipe lengths.

Note: If an offset is necessary in the attic to avoid obstructions, it is important to support the flue pipe every 3 feet, to avoid excessive stress on the elbows, and possible separation. Wall straps are available for this purpose. See diagram 7.

Galvanized pipe and elbows may be utilized in the attic as well as above the roofline. The galvanized finish is desirable above the roofline due to its higher corrosion resistance.

Continue to add pipe sections through the flashing until the height of the flue cap meets the minimum height requirements specified in diagram 12 or local codes. Note that for steep roof pitches, the vertical height must be increased. A poor draft, or down drafting can result from high wind conditions near big trees or adjoining roof lines, in these cases, increasing the flue height may solve the problem.

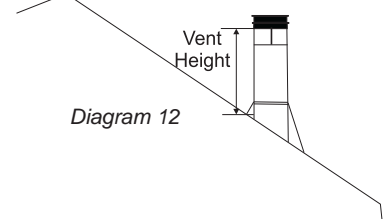


Diagram 12

Roof Pitch	Minimum Flue Height	
	Feet	Meters
flat to 7/12	2	0.61
over 7/12 to 8/12	2	0.61
over 8/12 to 9/12	2	0.61
over 9/12 to 10/12	2.5	0.76
over 10/12 to 11/12	3.25	0.99
over 11/12 to 12/12	4	1.22
over 12/12 to 14/12	5	1.52
over 14/12 to 16/12	6	1.83
over 16/12 to 18/12	7	2.13
over 18/12 to 20/12	7.5	2.29
over 20/12 to 21/12	8	2.44

7) Ensure flue is vertical and secure the base of the flashing to the roof with roofing nails, slide storm collar over the pipe section and seal with a mastic.

8) Install the vertical termination cap by twist locking it.

INSTALLATION

Notes:

- a) For multistorey vertical installations, a Ceiling Fire stop (Part # 963) is required at the second floor, and any subsequent floor. Diagram 13. The opening should be framed to 10 " x 10" (254mm x 254mm) inside dimensions, in the same manner as shown in diagram 10.

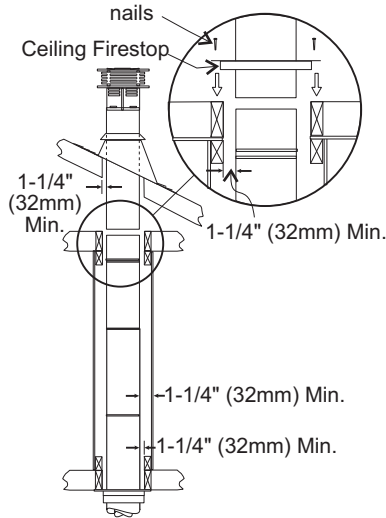
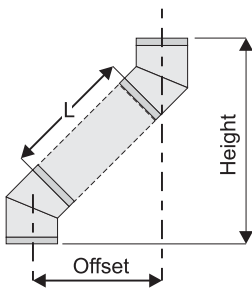


Diagram 13

Offset Chart

GS 6"(152mm) Nominal Diameter ID					
Offset		Pipe Length (L)		Height	
inches	mm	inches	mm	inches	mm
4 3/4	121	0	0	13 1/4	337
9	229	6	152	17 1/2	445
11 1/4	286	9	229	19 1/2	495
13 1/4	337	12	305	21 3/4	552
21 3/4	552	24	610	30 1/4	768
30 1/4	768	36	914	39	991
38	965	48	1219	47	1194



- b) Any occupied areas above the first floor, including closets and storage spaces, through which the vertical flue passes, must be enclosed.

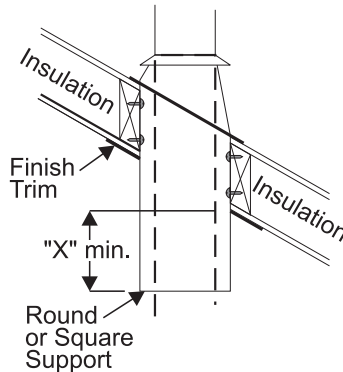
CATHEDRAL CEILINGS

Round Support (RDS) & Square Support (SQS)

If your home has a cathedral ceiling (no attic space between the ceiling and the roof), install the chimney and support as follows.

- 1) Situate the chimney in a convenient location as near as possible to the appliance outlet. Cut and frame a hole in the roof for the support. The sides of this hole must be vertical with 1 1/4" (32mm) clearance.
- 2) Place the support in the opening. Lower it to the correct height as determined by the table and diagram below.

Slope	"X"
0/12 - 2/12	4" (102mm)
2/12 - 7/12	5-1/2" (140mm)
7/12 - 12/12	6-3/4" (172mm)
12/12 - 24/12	7-1/2" (191mm)
24/12+	12-1/2" (378mm)



Using a level, make sure the support is vertical. If the support extends above the roof, cut it flush with the top of the roof. Nail the support to the frame opening using (8) 3" (76mm) spiral nails or #8 x 1-1/2" (38mm) screws.

Note: If you are using a 152mm square support you may find it difficult to screw it in place because it is fairly small inside.

Simpson Dura-Flue has provided angle brackets with this support which can be screwed to the outside of the support box and nailed to surrounding framing as required. Use a minimum of four #8 x 1/2" (13mm) screws per bracket. In some cases these brackets may need to be trimmed

(e.g.: to fit under a flashing). Place the Finish Collar around the support and fasten it to the ceiling using the screws provided.

- 3) Use appropriate roof flashing. Place the flashing under the upper shingles and on top of the lower shingles approximately half of the flashing should be under the shingles.
- 4) Assemble the desired lengths of Black Pipe and Elbows necessary to reach from the appliance adaptor up through the support box and flashing to proper height as per Dia. 12, local codes or page 9. Ensure that all pipe and elbow connections are in their fully twist lock position.
- 5) Ensure flue is vertical and secure flashing to the roof with roofing nails. Slide the storm collar over the pipe section and seal with a mastic.
- 6) Twist lock the flue cap on to the last section.

Support Extensions - Round (RDSE) or Square (SQSE)

Steep pitched cathedral ceilings may require the use of a support extension. This piece fits down inside the support and can be adjusted to increase the support's length by up to 22" (559mm). The extension is attached to the support using the eight metal screws provided. Be sure there is at least a 2 inch overlap where the extension joins the support.

GAS CONNECTION

The gas line should be rigid pipe. Copper may also be used if approved by AS5601-2004.

The gas connection at the valve is 1/2 male. For minimum and maximum supply pressure see the System Data Table.

GAS PIPE PRESSURE TESTING

The appliance must be isolated from the gas supply piping system by closing its individual manual shut-off valve during any pressure testing of the gas supply piping system at test pressures equal to or less than 1/2 psig. (3.45 kPa). Disconnect piping from valve at pressures over 3.45 kPa (14" w.c.).

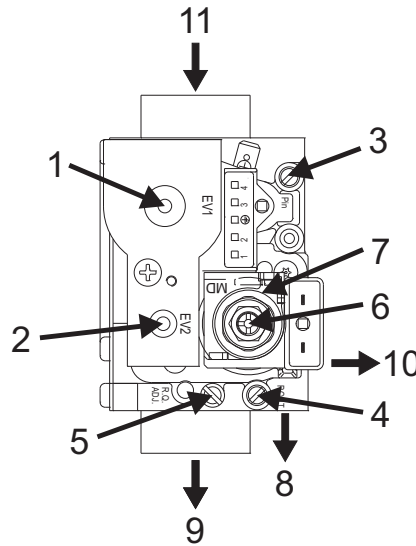
The manifold pressure is controlled by a regulator built into the gas control, and should be checked at the pressure test point.

Note: To properly check gas pressure, both inlet and manifold pressures should be checked using the valve pressure ports on the valve.

- 1) Make sure the valve is in the "OFF" position.
- 2) Loosen the "IN" (# 3) and/or "OUT" (# 4) pressure tap(s), turning counterclockwise with a 1/8" (3mm) wide flat screwdriver.
- 3) Attach manometer to "IN" and/or "OUT" pressure tap(s) using a 5/16" (8mm) ID hose.
- 4) Seal and or check the pilot outlet (# 8)
- 5) The pressure check should be carried out with the unit burning and the setting should be within the limits specified on the safety label.
- 6) When finished reading manometer, turn off the gas valve, disconnect the hose and tighten the screw (clockwise) with a 1/8" (3mm) flat screwdriver. *Screw should be snug, but do not over tighten.*

SIT 845 VALVE DESCRIPTION

- 1) On-Off Solenoid Valve EV1
- 2) On-Off Solenoid Valve EV2
- 3) Inlet Pressure Test Point
- 4) Outlet Pressure Test Point
- 5) Connection for Pressure Regulator / Combustion Chamber Compensation
- 6) Pressure Regulator for Minimum and Maximum Outlet Pressure
- 7) Gas Outlet Pressure Electric Modulator
- 8) Pilot Outlet
- 9) Main Gas Outlet
- 10) Side Outlet
- 11) Main Gas Inlet



AERATION ADJUSTMENT

The burner aeration is factory set but may need adjusting due to either the local gas supply or altitude.

FG39 with 40 mj.
 FG39-NG1 Fully Open
 FG39-LPG1 Fully Open

FG39 with 31 mj.
 FG39-NG1 6 mm Open
 FG39-LPG1 10 mm Open

Caution: Carbon will be produced if the air shutter is closed too much.

Note: Any damage due to carboning resulting from improperly setting the aeration controls is NOT covered under warranty.

System Data FG39 with 40mj.

Burner Inlet Orifice Sizes:		
	NG	LPG
Burner	#32	#50
	2.95mm	1.78mm

Max. Input	NG	40 Mj/h
	LPG	38 Mj/h

Min. Input	NG	20 Mj/h
	LPG	19 Mj/h

Supply Pressure	
NG	min. 1.13 kPa
LPG	min. 2.75 kPa

Manifold Pressure	
NG	.94 kPa
LPG	2.55kPa

Electrical: 240 V. 1.13A 60Hz.
 Circulation: 2 speed fan, 125/75 CFM.
 Log Set: Ceramic fiber, 7 per set.

System Data FG39 Converted to 31mj.

Burner Inlet Orifice Sizes:		
	NG	#37 2.65mm
	LPG	#52 1.6mm

Max. Input - NG/LPG	31 Mj/h
----------------------------	---------

Min. Input - NG/LPG	16 Mj/h
----------------------------	---------

Supply Pressure	
NG	min. 1.13 kPa
LPG	min. 2.75 kPa

Manifold Pressure	
NG	.89 kPa
LPG	2.55kPa

Electrical: 240 V. 1.13A 60Hz.
 Circulation: Variable speed fan, 125/75 CFM.
 Log Set: Ceramic fiber, 7 per set.

INSTALLATION

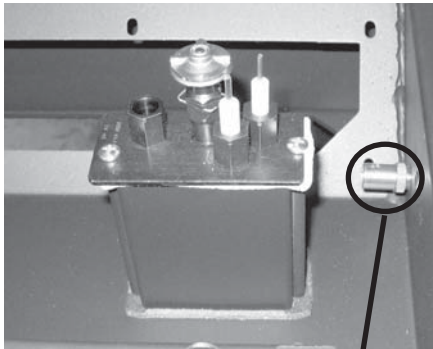
Conversion Kit for NG to LPG Model #360-968

THIS CONVERSION MUST BE DONE BY A QUALIFIED GAS FITTER IF IN DOUBT DO NOT DO THIS CONVERSION!

Conversion Kit contains:

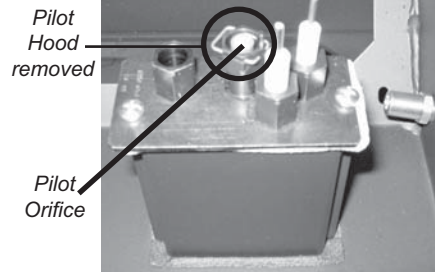
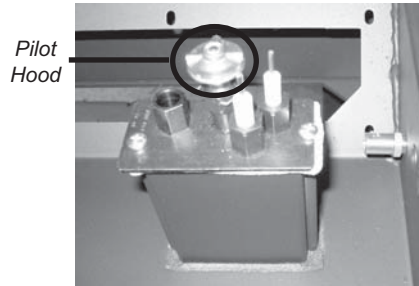
Qty.	Part #	Description
1	904-529	5/32" Allen Key
1	904-641	Burner Orifice #50
1	918-590	"Converted to LPG" label
1	908-528	Red "LPG" label
1	910-037	#30 ULPG Pilot Orifice
1	918-578	Instruction Sheet

- 1) Shut off the gas supply and unplug the power cord.
- 2) Open the front door and carefully remove the logs and lava rock.
- 3) Remove burner.
- 4) Remove burner orifice with a 1/2" wrench and discard. Use a wrench to hold on to the elbow behind the orifice.
- 5) Reinstall new burner orifice LPG stamped #50 and tighten.

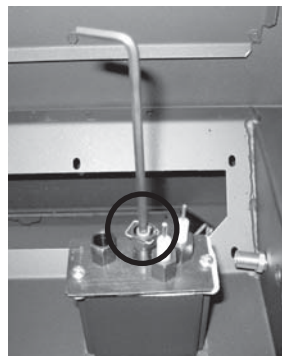


Burner Orifice

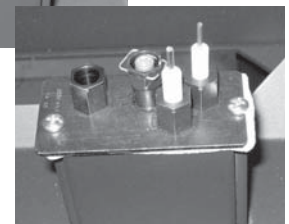
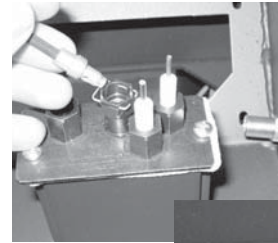
- 6) Pull out the pilot hood by hand.



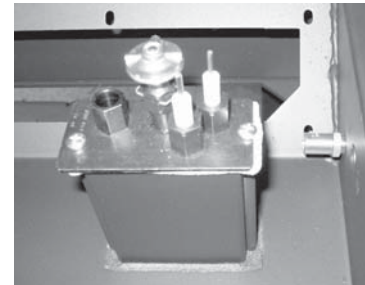
- 7) Remove the pilot orifice with the allen key.



- 8) Put in the new LPG orifice with the allen key. Then put back the pilot hood.

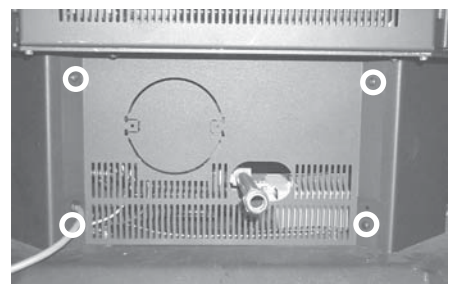


- 9) Place the pilot hood back on.



- 10) Adjust the burner aeration setting to **fully open** and install the burner.

- 11) Remove the pedestal back cover by removing the 4 Phillips screws.



INSTALLATION

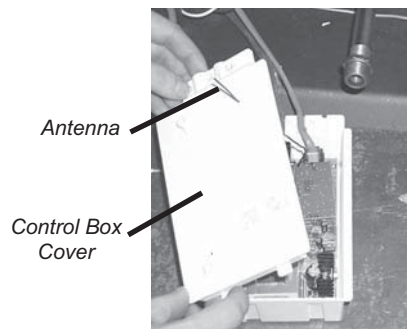
12) Stick the conversion label "This unit has been converted to LPG" over top of the serial number decal.

13) Replace the yellow "NG" label with the red "LPG" label.

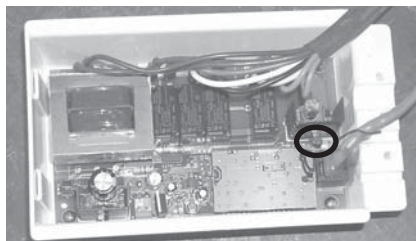
14) Carefully pull out the control box.

Note: The control box is held in place by velcro.

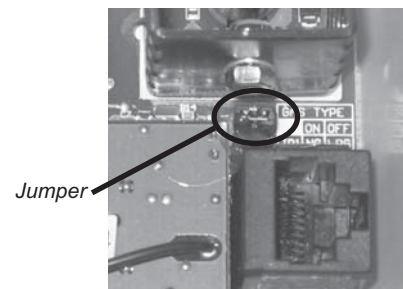
15) Remove the control box cover by undoing the 3 screws. Maneuver through antenna.



16) Remove the jumper using a plier.



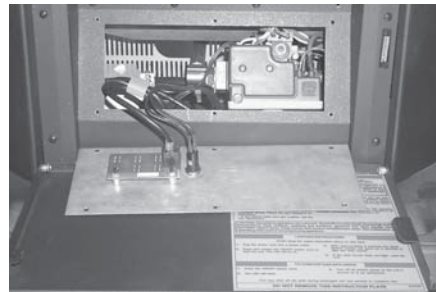
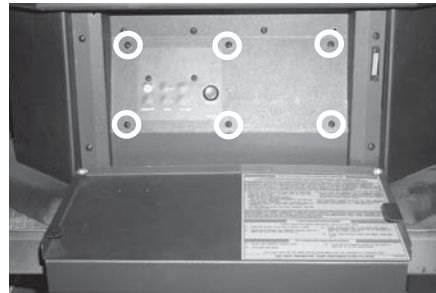
Jumper Location



17) Stick the conversion label "This unit has been converted to LPG" on the control box cover.

18) Reverse steps 15, 14 & 11.

19) Open the bottom door and remove the front panel by undoing the 6 screws.



20) Turn on the gas supply and plug in the power cord.

21) Adjusting the Outlet Pressure

All the adjustments must be carried out in the following order:

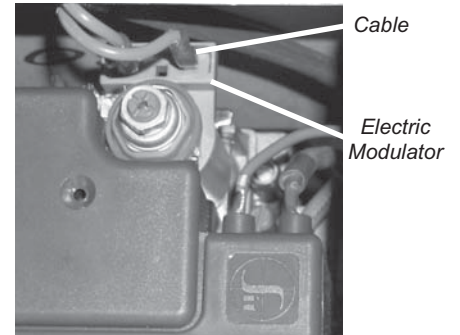
Remove the modulator plastic cap (A) using needle nose pliers.

Maximum pressure: Turn the unit ON to its highest input rating. Screw in the nut (B) to increase the outlet pressure and screw it out to decrease it. Use a 10 mm wrench.

NOTE: The outlet pressure must be set to maximum 2.65 kPa.

Minimum pressure: Remove one of the cables connected to the electric modulator. Keeping the nut (B) blocked, screw in the screw (C) to increase the pressure and screw it out to decrease it. Use a screwdriver 6 x 1 blade.

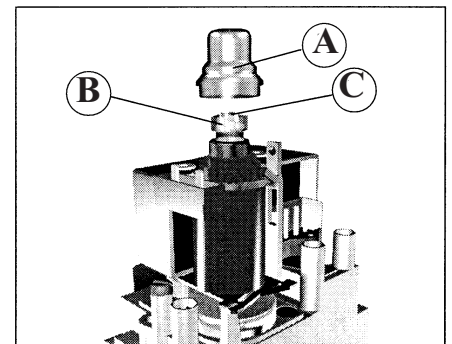
NOTE: The outlet pressure must be set to minimum 0.74 kPa.



After carrying out all adjustments, block the setting screws with paint, taking care not to obstruct the breather orifice of the pressure.

Put back the modulator plastic cap.

WARNING: To ensure the correct operation of the modulator it is necessary that the plastic cap (A) is returned to its original location.



22) At the end of all setting and adjustment operations, check electrical insulation and gas leaks.

23) Reverse step 19.

24) Check operation of fan and flame control.

25) Check for proper flame appearance and glow on logs.

Installer Notice:
These instructions must be left with the appliance.

INSTALLATION

CONVERSION TO LOWER BTU RATING

THIS CONVERSION MUST BE DONE BY AN AUTHORIZED GAS FITTER IF IN DOUBT DO NOT DO THIS CONVERSION!

NG Conversion Kit 730-920

Contains:

Qty.	Part #	Description
1	904-240	Burner Orifice #37 (NG)
1	918-034	Decal "Converted to 30,000 Btu"
1	918-033	Instruction Sheet

LPG Conversion Kit 730-922

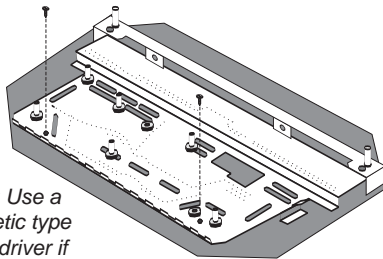
Contains:

Qty.	Part #	Description
1	904-390	Burner Orifice #52 (LPG)
1	918-034	Decal "Converted to 30,000 Btu"
1	918-033	Instruction Sheet

Additional Piece (pkg. with unit):

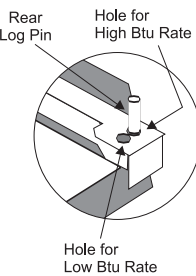
- 1 Log Bracket Restrictor

- 1) Shut off the gas supply.
- 2) Open the front door. Carefully remove the logs and lava rock.
- 3) Remove burner. See diagram below.

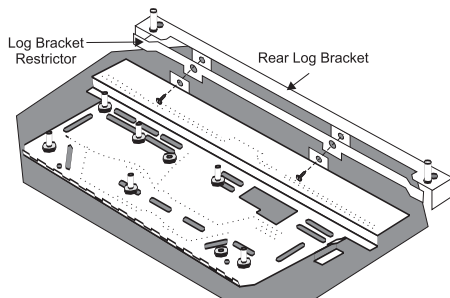


Note: Use a magnetic type screwdriver if possible.

- 4) Unscrew the 2 Rear Log Pins and move to the front hole position.

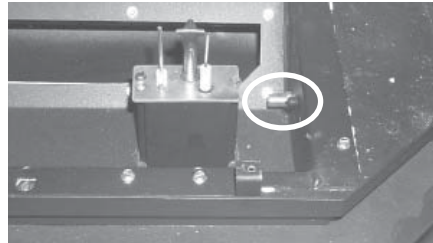


- 5) Remove Rear Log Bracket and slide the Log Bracket Restrictor between the Rear Log Bracket and the burner, secure with the 2 screws.



Position the Log Bracket Restrictor between the Rear Log Bracket and the burner.

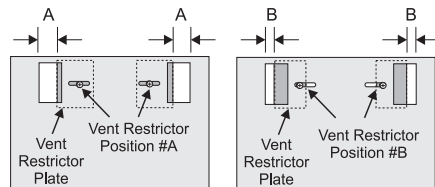
- 6) Remove burner orifice with a 1/2" spanner and discard.



Burner Orifice

- 7) Reinstall new burner orifice (NG stamped #37 or LPG stamped #52) and tighten.
- 8) Reverse steps 3) and 2).
- 9) Adjust Flue restrictor setting: To set the Flue restriction as indicated in the diagram, simply loosen the screws and push the flue restrictor plate to the correct position. Tighten the screws.

Unit	Btu/h	Restrictor Opening
FG39	40 Mj/h	A 45mm
	31 Mj/h	B 35mm



Flue Restrictor setting at High Btu/h

Flue Restrictor setting at Low Btu/h

- 10) Attach the label "This unit has been converted to..." on top of the data badge over the higher Btu information.

- 11) Check for gas leaks.
- 12) Check inlet and outlet pressures.
- 13) Check operation of flame control. Check for proper flame appearance and glow on logs.

LOG SET INSTALLATION

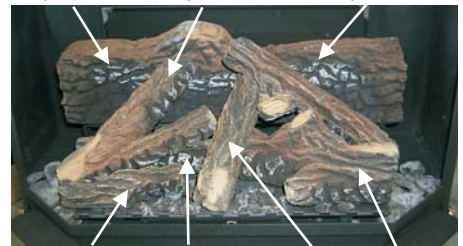
Read the instructions below carefully and refer to the diagrams. If logs are broken do not use the unit until they are replaced. Broken logs can interfere with the pilot operation.

The gas log kit contains the following:

- a) 02-65 Rear Log
- b) 02-56 Middle Left Log
- c) 02-44 Front Left Log
- d) 02-46 Left Top Log
- e) 02-45 Front Right Log
- f) 02-47 Center Log
- g) 02-48 Middle Right Log
- h) Embers
- i) Lava

Note: Install Optional Brick Panels prior to installing logs.

- A) 02-65
- D) 02-46
- G) 02-48



- C) 02-44
- B) 02-56
- F) 02-47
- E) 02-45

The "02" refer numbers (i.e. 02-65) are molded into the rear of each log.

- 1) Carefully remove the logs from the box and unwrap them. The logs are fragile, handle with care - do not force into position.
- 2) Sprinkle the embers on the left and right sides of the firebox base.



Embers.

Embers

INSTALLATION

- 3) Place Rear Log A)02-65 on the two pins on the rear log support.

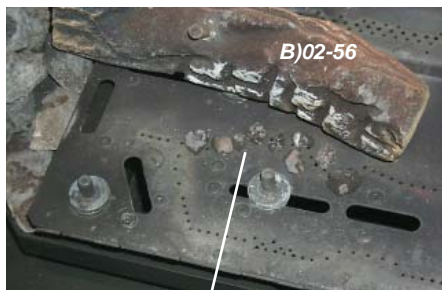


Pins on Rear Log Support

- 4) Place the Middle Left Log B)02-56 on the two pins as shown.



- 5) Sprinkle some lava rock just in front of B)02-56 on the burner holes.

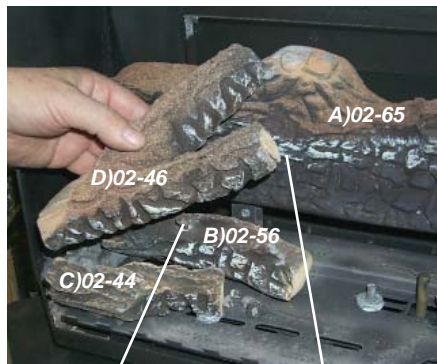


lava rock

- 6) Place Front Left Log C)02-44 onto the 2 front pins as shown.



- 7) Place the Left Top Log D)02-46 on the pin on Log B)02-56 and on top of the cutout on Log A)02-65.



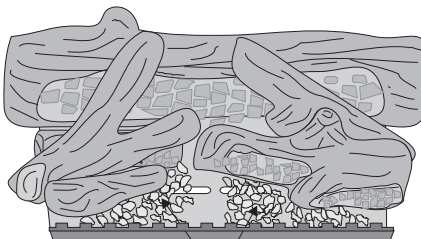
Pin

Cutout

- 8) Place Front Right Log E)02-45 on the two pins as shown.

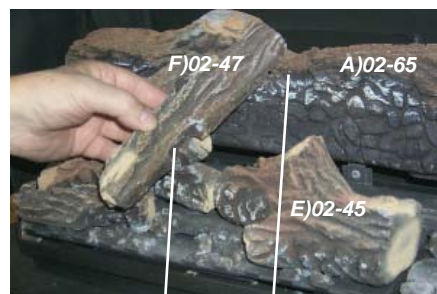


- 9) Place the lava rock in the area between the left and right logs, leaving a space in the middle for log (F) 02-47.



lava rocks

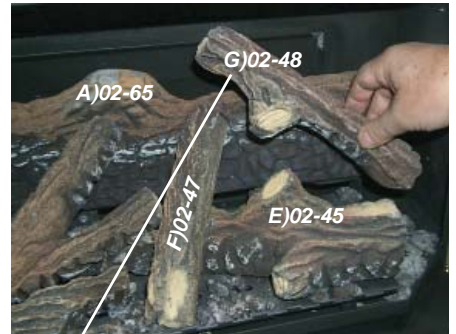
- 10) Place the notch in Center Log F)02-47 over Log E)02-45 and across the cutout on Log A)02-65.



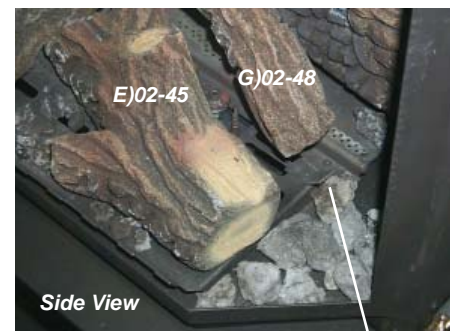
Notch

Cutout

- 11) Position notch in Front Right Log G)02-48 on Log F)02-47 and push the bottom right edge against the bracket on the burner tray.



Notch



Side View

Bracket

The bottom right edge of Log G)02-48 must sit snugly against the bracket

- 12) Test fire to ensure proper light off (make sure flame flows smoothly from one end of burner to the other. If there is any flame hesitation, check that area for any blockage of the burner port.



INSTALLATION

FRONT DOOR INSTALLATION (packaged separately)

- 1) Open the two side panels.
- 2) Slide the door onto the two hinge pins making sure the two pieces are flush together. See diagram 1.

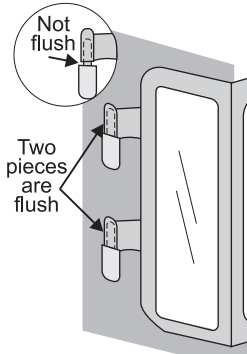


Diagram 1

- 3) Close the door. The latch plate must be centered around the alignment pin. See diagram 2. If the latch plate interferes with the corner of the stove you may want to angle the plate slightly so the door closes easier.

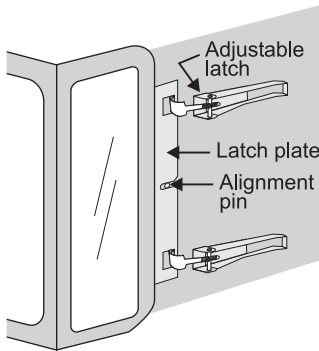


Diagram 2

- 4) The latches should already be at the proper setting. If they are too hard or too easy to close, you may want to adjust them by loosening the latch catch. See diagram 3.

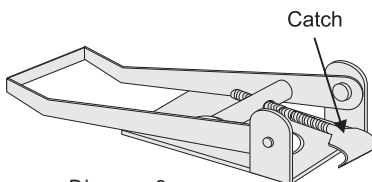


Diagram 3

- 5) Remove the blue plastic protective coating from the glass.
- 6) Test the seal around the door by placing a piece of paper between the unit and the door, close the door and try to pull the paper out. If it slips out easily, then the door is not properly sealed. Tighten or loosen the latch. See diagram 3.

Note: *The door latch may require adjustment as the door gasket material compresses after a few fires and after glass replacement. Turn the latch catch inward or outward to loosen or tighten.*

OPTIONAL REMOTE CONTROL

Use the Regency Remote Control Kit approved for this unit. Use of other systems may void your warranty.

The remote control kit comes with a hand held transmitter and a wall mounting plate.

- 1) Choose a convenient location to mount the hand held transmitter, protection from extreme heat is very important.

The remote can also be used as a wall thermostat.



FINAL CHECK

Before leaving this unit with the customer, the installer must ensure that the appliance is firing correctly. This includes:

- 1) Locking the appliance to ensure the correct firing rate (rate noted on label) at 15 minutes.
- 2) If required, adjusting the primary air to ensure that the flame does not carbon. First allow the unit to burn for 15 min. to stabilize.
- 3) Check for proper draft.

CAUTION

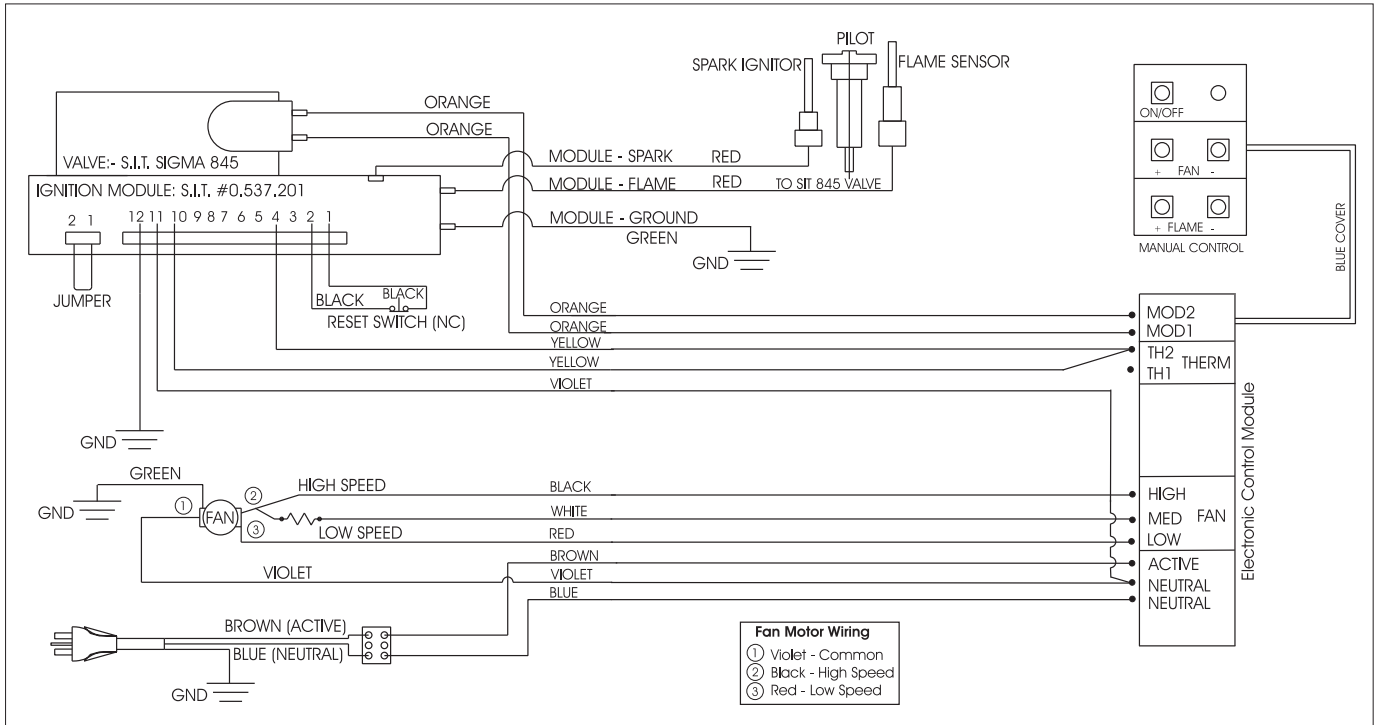
Any alteration to the product that causes sooting or carboning that results in damage to the exterior facia is not the responsibility of the manufacturer.

WIRING

This heater does not require a 240V A.C. supply for the gas control to operate. A 240V A.C. power supply is needed for the fan/blower operation.

Caution: Ensure that the wires do not touch any hot surfaces and are away from sharp edges.

CAUTION: Label all wires prior to disconnection when servicing controls. Wiring errors can cause improper and dangerous operation.



WARNING: Electrical Grounding Instructions

This appliance is equipped with a three pronged (grounding) plug for your protection against shock hazard and should be plugged directly into a properly grounded three-prong receptacle. Do not cut or remove the grounding prong from this plug.

OPERATING INSTRUCTIONS

OPERATING INSTRUCTIONS

Before operating this appliance, proceed through the following check list.

- 1) Read and understand these Instructions before operating this appliance.
- 2) Check to see that all wiring is correct and enclosed to prevent possible shock.
- 3) Check to ensure there are no gas leaks.
- 4) Make sure the three pieces of door glass are properly positioned. Never operate the appliance with any of the glass removed or with the door open.
- 5) Verify that all flueing and the cap is unobstructed.
- 6) Verify log placement.

LIGHTING INSTRUCTIONS

- 1) Plug the power cord into a power outlet.
- 2) Press and release the ON/OFF button once to start the unit.
- 3) After approximately 3 seconds the spark ignition system will spark for 40 seconds to light the main burner.
- 4) If the main burner does not light, reset the unit.

RESETTING THE UNIT

- 1) Open the pedestal door on the unit.
- 2) Press and release the reset button, located on the unit's control panel once.
- 3) Wait for approximately 3 seconds and the pilot sparks can be heard and seen. It would take 2 to 3 seconds for the flame to be lit.

NOTE: A period of 30 seconds must pass before another reset is attempted.

SHUTDOWN INSTRUCTIONS

- 1) Press the ON/OFF button once.
- 2) Turn off all electric power to the appliance if service is to be performed.

FIRST FIRE

The **FIRST FIRE** in your heater is part of the paint curing process. To ensure that the paint is properly cured, it is recommended that you burn your fireplace for at least four (4) hours the first time you use it with the fan on.

When first operated, the unit will release an odour caused by the curing of the paint and the burning off of any oils remaining from manufacturing. Smoke detectors in the house may go off at this time. Open a few windows to ventilate the room for a couple of hours. The glass may require cleaning.

NOTE: The main burner will always start on "HIGH" and resume it's last setting after 20 seconds of operation.

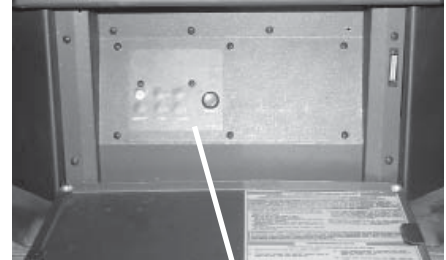
NOTE: When the glass is cold and the appliance is lit, it may cause condensation and fog the glass. This condensation is normal and will disappear in a few minutes as the glass heats up.

DO NOT ATTEMPT TO CLEAN THE GLASS WHILE IT IS STILL *HOT!*

DO NOT BURN THE APPLIANCE WITHOUT THE GLASS FRONT IN PLACE.

FAN OPERATION

Set the fan speed on the control panel located in behind the pedestal door to adjust fan to the desired speed.



Control Panel

Pressing and releasing the plus (+) FAN button will change the fan speed as follows:

OFF -> LOW -> MEDIUM -> HIGH -> OFF, etc.

Pressing and releasing the minus (-) FAN button will be the reverse of the above.



ADJUSTING FLAME HEIGHT

There are six flame settings that can be adjusted by pressing and releasing the plus (+) and minus (-) FLAME button.

The FLAME setting button is located on the control panel in behind the pedestal door.

OPERATING INSTRUCTIONS

SUMMARY OF CONTROLS

On/Off Button

If the unit is switched off, pressing and releasing this button once will switch the unit on. The unit will resume its last settings.

If the unit is switched on, pressing and releasing this button once will switch the unit off.

Flame:

Increase - If the unit is switched on, pressing and releasing the flame plus (+) button once will increase the flame height to the next available high setting.

Decrease - If the unit is switched on, pressing and releasing the flame minus (-) button once will decrease the flame height to the next available low setting.

Fan:

Increase - If the unit is switched on, pressing and releasing the fan plus (+) button once will increase the fan speed to the next available high setting.

Decrease - If the unit is switched on, pressing and releasing the fan minus (-) button once will decrease the fan speed to the next available low setting.

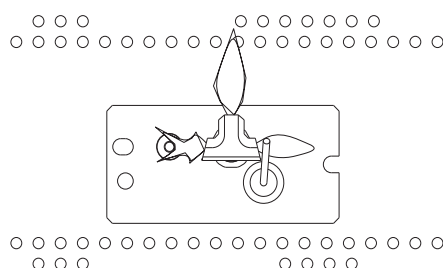
PILOT ADJUSTMENT

Periodically check the pilot flames. The correct flame pattern has 3 strong blue flames.

One flowing around the thermocouple, the second flowing across the rear of the burner (it does not have to be touching the burner) and the third flame flowing tangent to the spark ignitor.

NOTE: If you have an incorrect flame pattern, contact your Regency dealer for further instructions.

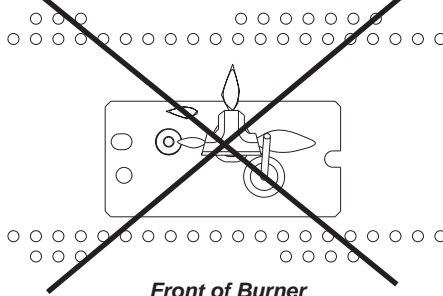
Rear of Burner



Front of Burner

An incorrect flame pattern will have small, probably yellow flames, not coming into proper contact with the rear of the burner or thermopile.

Rear of Burner



Front of Burner

NORMAL OPERATING SOUNDS OF GAS APPLIANCES

It is possible that you will hear some sounds from your gas appliance. This is perfectly normal due to the fact that there are various gauges and types of steel used within your appliance. Listed below are some examples. All are **normal operating sounds** and should not be considered as defects in your appliance.

Blower:

Regency gas appliances use high tech blowers to push heated air farther into the room. It is not unusual for the fan to make a "whirring" sound when ON. This sound will increase or decrease in volume depending on the speed setting of your fan speed control.

Burner Tray:

The burner tray is positioned directly under the burner tube(s) and logs and is made of a different gauge material from the rest of the firebox and body. Therefore, the varying thicknesses of steel will expand and contract at slightly different rates which can cause "ticking" and "cracking" sounds. You should also be aware that as there are temperature changes within the unit these sounds will likely re-occur. Again, this is normal for steel fireboxes.

Gas Control Valve:

As the gas control valve turns ON and OFF, a dull clicking sound may be audible, this is normal operation of a gas regulator or valve.

Unit Body/Firebox:

Different types and thicknesses of steel will expand and contract at different rates resulting in some "cracking" and "ticking" sounds will be heard throughout the cycling process.

OPERATING INSTRUCTIONS

COPY OF THE LIGHTING PLATE INSTRUCTIONS

This appliance must be installed in accordance with local codes, if any, if not, the current CAN1-B149/ANSI Z 223.1 (Australia: AS5601-2004, New Zealand: NZS

3: If you do not follow these instructions exactly, a fire or explosion may cause property damage, personal injury or loss of life. Improper installation, adjustment, service or maintenance can cause injury or property damage. Refer to the information manual provided with this appliance. For assistance or advice, please consult a qualified installer, service agency or gas supplier.

SMELLING smell all around the appliance gas. Be sure to smell next to the floor as some gas is heavier than air and will collect on the floor.

WHAT TO DO IF YOU SMELL GAS

Do not try to light any appliance.

Do not touch any electric switch, do not use any electrical appliance in your building.

Immediately call your gas supplier from a payphone. Follow the gas supplier's instructions.

If you cannot reach your gas supplier, call the fire department.

B) Do not use this appliance if any part has been under water. Immediately call a qualified technician to inspect the appliance and the gas control system and any gas control which has been under water.

This appliance needs fresh air for safe operation and must be installed so there are provisions for adequate combustion and ventilation air.

WARNING: Hot while in operation. Do not touch. Severe Burns may result. Due to high temperatures keep children, clothing and furniture, gasoline and other liquids away from vapors away. Keep burner and control compartment clean. See installation instructions accompanying appliance.

LIGHTING INSTRUCTIONS

STOP! Read the safety information above on this label.

1) Plug power cord into a power outlet.

2) Push and release the ON/OFF button once to turn on the unit.

3) After approximately 3 seconds the ignition system will spark for 25 seconds to light the main burner.

4) If the main burner does not light, check gas and reset the unit.

**WARNING:
DO NOT SPRAY AEROSOLS IN THE VICINITY OF
THIS APPLIANCE WHILE IN OPERATION.**

MAINTENANCE INSTRUCTIONS

Any maintenance required accessing the glass door of the unit must be performed by an authorized service person.

- 1) Always unplug the power cord before cleaning. For relighting, refer to lighting instructions. Keep the burner and control compartment clean by brushing and vacuuming at least once a year. When cleaning the logs, use a soft clean brush as the logs are fragile and easily damaged.
- 2) Clean glass (never when unit is hot), appliance, louvres, and door with a damp cloth. Never use an abrasive cleaner. The gold louvres (and optional gold door) may be scratched if abrasives are used to clean them.

The heater is finished in a heat resistant paint and should only be refinished with heat resistant paint (not with wall paint). Regency uses StoveBright Paint - Metallic Black #6309.

- 3) Make a periodic check of burner for proper position and condition. Visually check the flame of the burner periodically, making sure the flames are steady; not lifting or floating. If there is a problem, call an authorized service person.
- 4) The appliance and flueing system must be inspected before use, and at least annually, by an authorized field service person, to ensure that the flow of combustion and ventilation air is not obstructed.

During the annual service call, the burners should be removed from the burner tray and cleaned. Replace the embers - do not block the pilot or burner ports.

- 5) Keep the area near the appliance clear and free from combustible materials, gasoline and other flammable vapours and liquids.

WARNING: CHILDREN AND ADULTS SHOULD BE ALERTED TO THE HAZARDS OF HIGH SURFACE TEMPERATURE AND SHOULD STAY AWAY TO AVOID BURNS OR CLOTHING IGNITION. YOUNG CHILDREN SHOULD BE CAREFULLY SUPERVISED WHEN THEY ARE IN THE SAME ROOM AS THE APPLIANCE.

CAUTION: ANY SAFETY SCREEN OR GUARD REMOVED FOR SERVICING AN APPLIANCE MUST BE REPLACED PRIOR TO OPERATING THE APPLIANCE.

CLOTHING OR OTHER FLAMMABLE MATERIAL SHOULD NOT BE PLACED ON OR NEAR THE APPLIANCE.

DO NOT USE THIS APPLIANCE IF ANY PART HAS BEEN UNDER WATER. IMMEDIATELY CALL AN AUTHORIZED SERVICE TECHNICIAN TO INSPECT THE APPLIANCE AND TO REPLACE ANY PART OF CONTROL SYSTEM AND ANY GAS CONTROL WHICH HAS BEEN UNDER WATER.

- 6) Verify proper operation after servicing.

LOG REPLACEMENT

The unit should never be used with broken logs. Turn off the gas valve and allow the unit to cool before opening door to carefully remove the logs. The pilot light generates enough heat to burn someone. If for any reason a log should need replacement, you must use the proper replacement log. The position of these logs must be as shown in the diagram under Log Installation.

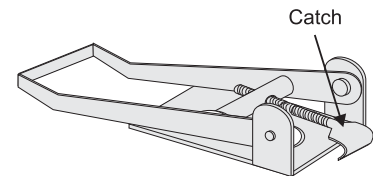
Note: Improper positioning of logs may create carbon build-up and will alter the unit's performance which is not covered under warranty.

DOOR GASKET

If the door gasket requires replacement use 7/8" diameter oval door gasket (Part # 650-920).

LATCH ADJUSTMENT

The door latch may require adjustment as the door gasket material compresses after a few fires and after glass replacement. Turn the adjustable catch to tighten or loosen the latch.



MAINTENANCE

GLASS REPLACEMENT

Your Regency heater is supplied with high temperature, 5mm Neoceram silica coated ceramic glass that will withstand the highest heat that your unit will produce. In the event that you break your glass, purchase your replacement from an authorized Regency dealer only, and follow the step-by-step instructions for replacement.

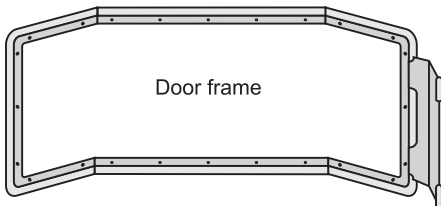
Removing Glass:

Note: Wearing gloves will protect your hands while handling glass.

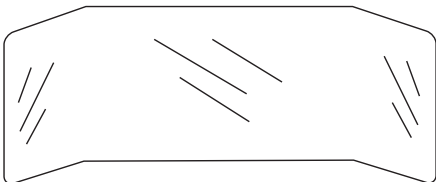
- 1) Remove the door from the unit and place on a soft surface to prevent scratching.
- 2) Pull out the door gasket.
- 3) Remove the 24 nuts holding the glass retainers in place. *Do not remove the nuts underneath the retainers.*
- 4) Remove the door catch plate.
- 5) Remove glass retainers on sides first (3 each side) then remove two center retainers.
- 6) Remove glass from door assembly. When removing glass, leave white insulation in place.
- 7) Reverse steps 6 - 2.



Safety screen



Door frame



Safety Screen: Only required in Australia

FAN MAINTENANCE

If your fan requires maintenance or replacement, access to the fan is through the plate on the rear wall of the firebox. **NOTE: the unit MUST NOT be operated without the fan access panel securely in place and correctly sealed.**

If the fan is damaged or needs repair, it shall be repaired by the manufacturer or its service agent or similarly qualified person to avoid a hazard.

IMPORTANT: These fans collect a lot of dust from within your home. Ensure you maintain these fan motors on a regular basis by vacuuming out the fan squirrel cages, around the motor, and around the grills on the back of the stove.

IMPORTANT
Disconnect power supply before servicing

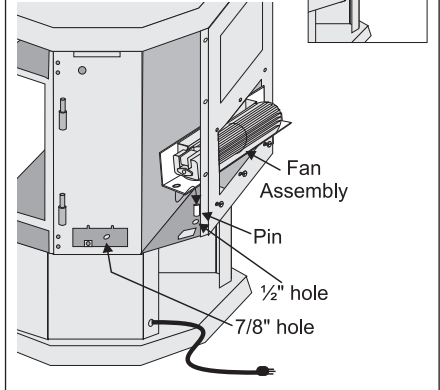
WARNING:
Electrical Grounding Instructions
This appliance is equipped with a three pronged (grounding) plug for your protection against shock hazard and should be plugged directly into a properly grounded three-prong receptacle. Do not cut or remove the grounding prong from this plug.

Fan Removal

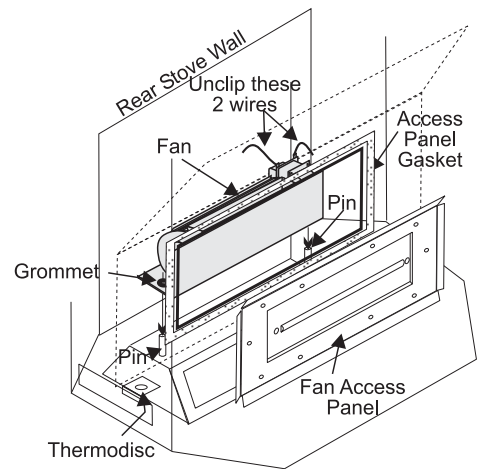
- 1) Unplug or disconnect power source to stove.
- 2) Remove all logs and the rear log support, then remove the 10 screws holding the access panel in place.
- 3) Unclip the black and white wires from the fan motor.
- 4) Open both side doors and gently pull the flex pipe away from the center, otherwise the fan can catch on the flex pipe during installation and tear the pipe. Do not tear or damage the flex pipe.

Alternate Fan Access:

If the rear access cover is accessible, it can be removed to provide access to the fan.



- 5) Lift fan off of the 2 pins, tip back and pull through firebox opening. Disconnect the green ground wire from the right side of the fan as soon as you can reach it.



Fan Replacement

Reverse the above steps (1 - 5). If necessary install a new gasket before replacing the fan access panel. Make sure the fan wires and the ground wire are reattached.

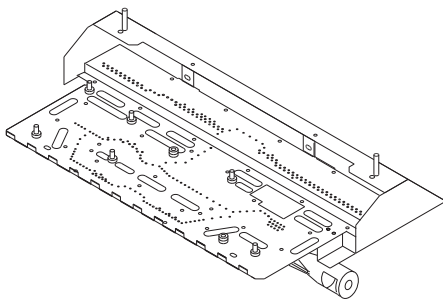
Hint for pushing fan down onto pins - rub a bit of dish soap on the grommet so it will slide more easily onto the pin. Check to make sure the fan is seated properly on the pins - try to move the fan back and forth, there should be no noise, if there is check that the grommets haven't come loose.

REMOVING VALVE TRAY

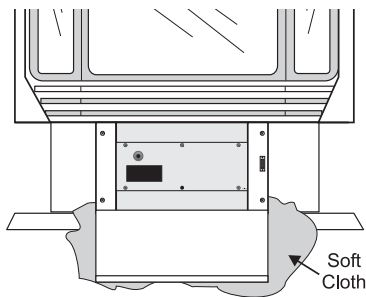
If your valve requires maintenance or replacement, follow these instructions:

NOTE: Always shut off the gas and disconnect the power supply before removing the valve.

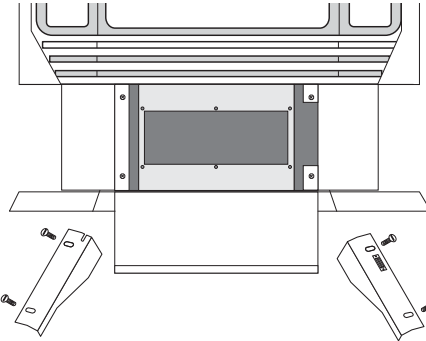
- 1) Open the front door and carefully remove the logs and lava rock.
- 2) Remove the burner by removing the two 1/4" hex head screws. See diagram below.



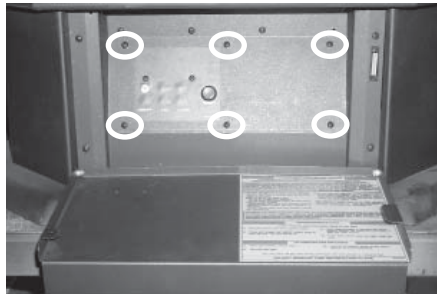
- 3) Open the front pedestal door and unhook chain. You may want to put a soft cloth on the base of the unit so that when the pedestal door is open it doesn't scratch the paint. See diagram below.



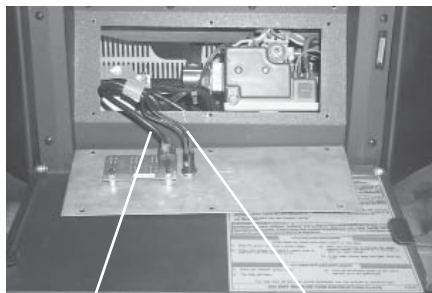
- 4) Remove the two outside frame pieces by removing two screws per side. See diagram below.



- 5) Remove the front plate by undoing the 6 screws.



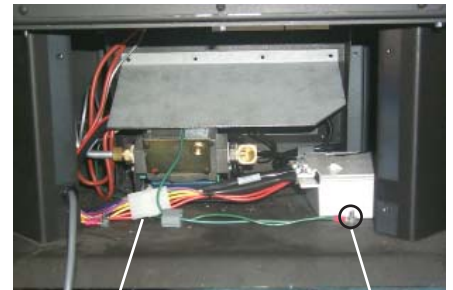
- 6) Disconnect the manual switch cable and reset cables.



Manual Switch Cable

Reset Cables

- 7) Disconnect the gas pipe line at the valve.
- 8) Remove the pedestal back cover by removing the 4 Philips screws.
- 9) Disconnect the 5 pin molex connector.
- 10) Disconnect the ground wires.



5 Pin Molex Connector

Ground Wire

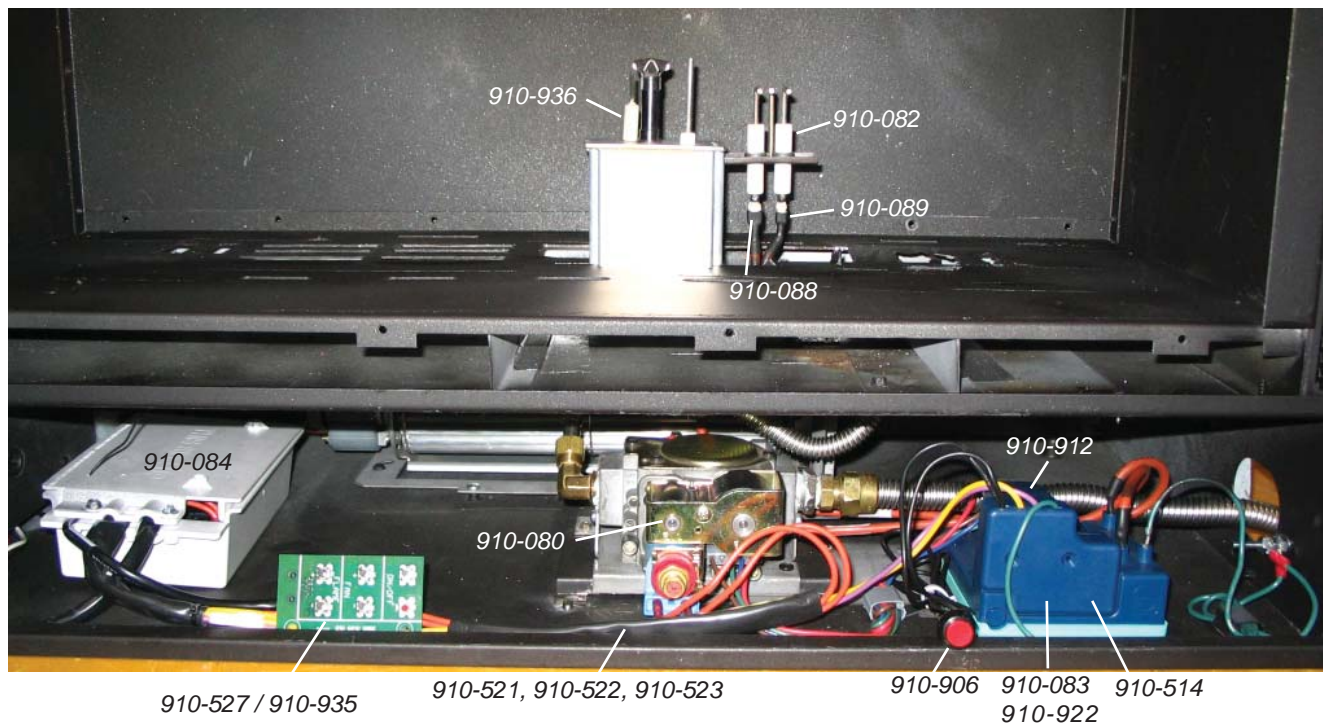
- 11) Remove the 20 x 1/4" hex head screws holding the burner tray assembly in place.
- 12) Carefully lift the burner tray assembly out.
- 13) To replace the burner tray assembly, reverse these instructions.



PARTS LIST

ELECTRONIC COMPONENTS PARTS LIST

Note: Depending on the model, the diagram below may not be exactly as shown - for reference purposes only.

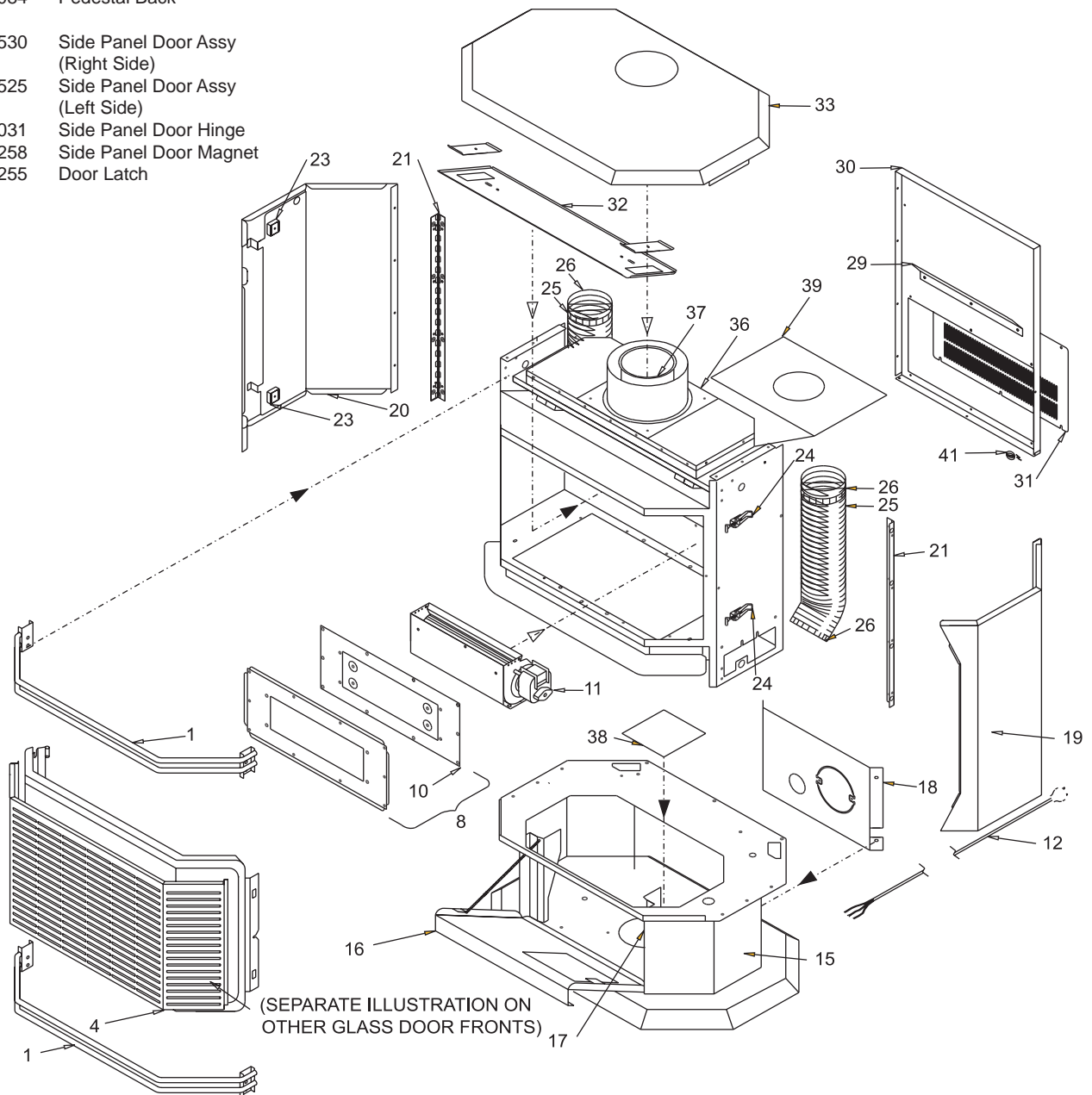


	FG37	FG38	FG39	PG33	PG36 / PG36D	HG35	PG121/ PG131	IG35	IG34
910-909 Fan Resistor	✓	✓	✓	✓	✓	✓	✓	✓	✓
910-936 Intermittent Pilot	✓	N/A	✓	✓	✓	✓	✓	N/A	✓
910-082 Direct Spark Ignitor	N/A	✓	N/A	N/A	N/A	N/A	N/A	✓	N/A
910-089 Flame Cable	N/A	✓	N/A	N/A	N/A	N/A	N/A	✓	N/A
910-088 Spark Cable	N/A	✓	N/A	N/A	N/A	N/A	N/A	✓	N/A
910-084 Control Box	✓	✓	✓	✓	✓	✓	✓	✓	✓
910-527 Manual Control Switch	✓	✓	✓	N/A	N/A	✓	N/A	N/A	✓
910-080 Valve	✓	✓	✓	✓	✓	✓	✓	✓	✓
910-521 Control Box Cable (1)					(1)				
910-522 Control Box Cable (2)	(2)	*N/A	(2)	(2)			(3)	N/A*	(2)
910-523 Control Box Cable (3)						(4)			
910-525 Control Box Cable (4)									
910-912 Ignition Module to Valve Cable	N/A	N/A	N/A	✓	✓	✓	✓	✓	✓
910-906 Reset Switch	✓	N/A	✓	✓	✓	✓	✓	N/A	✓
910-083 Ignition Module (1)		(1)						(1)	
910-922 Ignition Module (2)	(2)	(2)	(2)	(2)	(2)	(2)	(2)		(2)
910-514 Jumper Wire	✓	N/A	✓	✓	✓	✓	✓		
910-527 Manual Control Switch	✓	✓	✓	N/A	N/A	✓	N/A	N/A	✓
910-935 Manual Control Switch	N/A	N/A	N/A	✓	✓	✓	✓	✓	✓
**Note: The Control Box Cable wires for the FG38 come separately: 910-502, 910-505, 910-506, 910-507, 910-509 The Control Box Cable wires for the IG35 come separately: 910-530, 910-504, 910-528									

MAIN ASSEMBLY

Part #	Description	Part #	Description	Part#	Description
1)	560-920 Louver Assy - Gold (Set)	25) *	Flex Pipe (3" ID)	39)	730-036 Gasket - Air Passage
4)	750-532 Door Screen (Australia only)	26) *	Clamp for Flex Pipe	41)	904-185 Cable Tie - High Temperature
8)	730-560 Relief Door Assembly (with gasket)	29) *	Air Deflector	42)	904-186 Cable Tie Mounting Button
10)	730-034 Mounting Plate Gasket	30)	730-019 Rear Panel	910-033	Heat Resistant Sleeve
11)	560-519/P Fan Assembly (240 Volt)	31)	630-021F Fan Access Panel	918-298	Decal Top Rear Control Panel
910-169/P	Fan Motor (240 Volt)	32)	730-028 Firebox Baffle	360-968	Conversion Kit to LPG
12)	910-714 Power Cord (240 Volt)	33)	630-520 False Top Assembly	948-216	Logo Plate
15)	560-525 Pedestal Assembly	36)	936-194 Gasket - Starter Collar/ Air Passage	918-646	Manual
16)	730-039 Pedestal Door	37)	936-197 Gasket - Flue Collar/ Starter Collar		
17)	904-257 Pedestal Door Magnet	38)	820-058F Pedestal Base Cover		
18)	750-084 Pedestal Back				
19)	730-530 Side Panel Door Assy (Right Side)				
20)	730-525 Side Panel Door Assy (Left Side)				
21)	560-031 Side Panel Door Hinge				
23)	904-258 Side Panel Door Magnet				
24)	948-255 Door Latch				

*Not available as a replacement part.

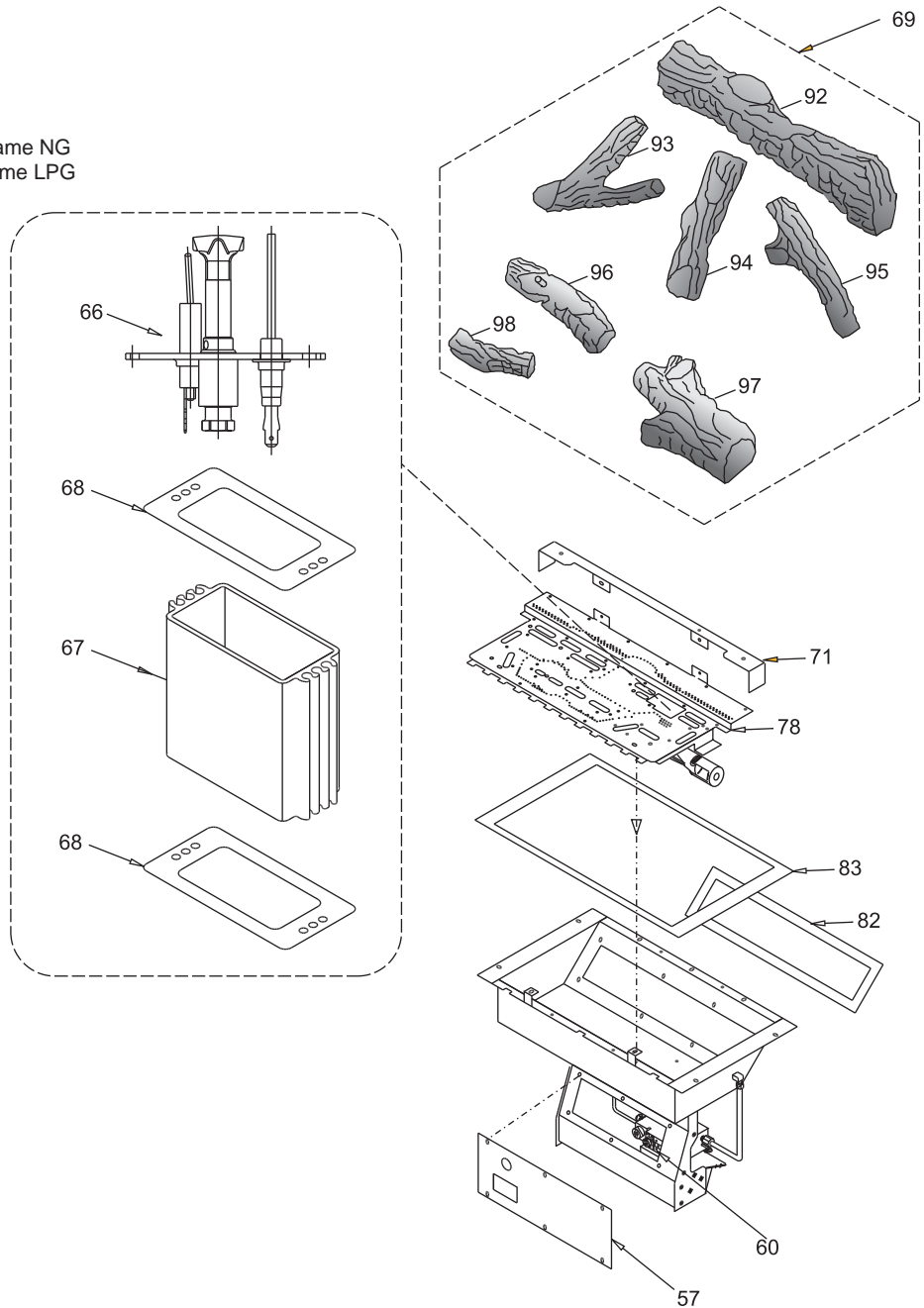


PARTS LIST

BURNER & LOG ASSEMBLY

Part #	Description
57)	* Switch Plate
	736-574/P Valve Assembly - NG
	736-576/P Valve Assembly - LPG
60)	910-080 Valve Sigma 845 NG
	910-081 Valve Sigma 845 LP
	904-688 #32 Orifice - N.G.
	936-170 Orifice Gasket
66)	910-936 Pilot Assy - S.I.T. - 3 Flame NG
	910-947 Pilot Assy - S.I.T. - 3 Flame LPG
67)	* Pilot Holder
68)	W840470 Pilot Assembly Gasket
71)	730-528 Log Stand
	904-641 Pilot Orifice #50 - NG
75)	730-935 Log Set
78)	730-550 Burner Assembly
82)	630-009 Gasket-Burner Tray/Air Passage
83)	630-008 Gasket - Burner Tray/Firebox
69)	730-935 Log Set
92)	Rear Log
93)	Left Top Log
94)	Center Log
95)	Middle Right Log
96)	Middle Left Log
97)	Front Right Log
98)	Front Left Log

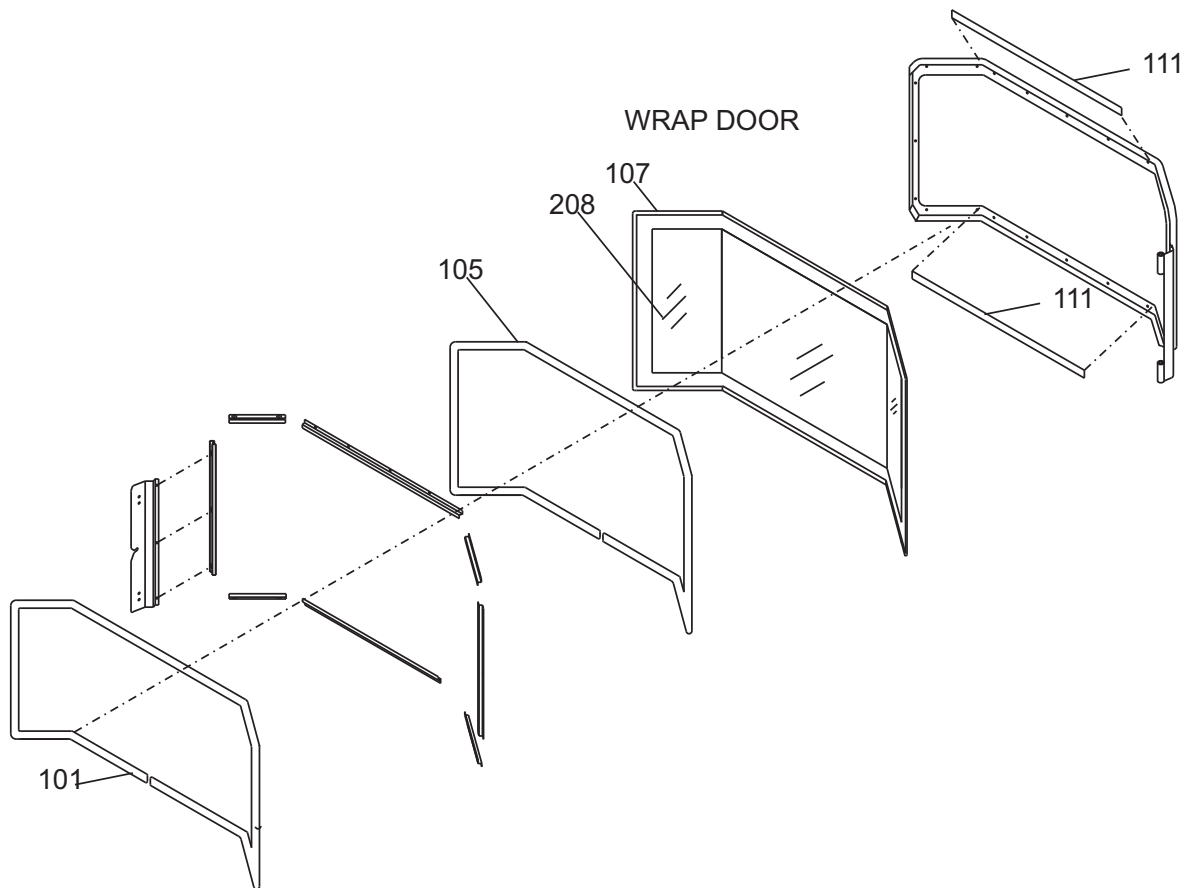
*Not available as a replacement part.



DOOR ASSEMBLY

Part #	Description
730-933	Black Wrap Door - Complete
101) 846-570	Door Gasket Kit
105) *	Ceramic Paper
107) 936-243	Glass Gasket
111) *	Door Frame Fibre Paper
208) 940-325/P	Wrap Glass

*Not available as a replacement part.



Regency Fireplace Products are designed with reliability and simplicity in mind. In addition, our internal Quality Assurance Team carefully inspects each unit thoroughly before it leaves our door. Regency Industries Ltd. is pleased to extend this limited lifetime warranty to the original purchaser of a Regency Product.

The Warranty: Lifetime

Covered under the agreement are the following components:

Combustion chamber, heat exchanger, burner tubes, logs, embers, glass (thermal breakage) and all gold plating (against defective manufacture).

The above will be covered for parts and labour for the first five years and parts only thereafter.

Electrical components such as fans, switches, wiring, thermodiscs, remote control, thermopiles, thermocouples and gas valves are covered for one year from the date of purchase.

Conditions:

All installations must be performed by an authorised gas fitter and installed according to all applicable local and national codes. Also, all service work must be carried out by an authorised gas service person. It is the responsibility of the installer to ensure that the appliance is firing as per rating plate. Any part or parts of this unit which in our judgement show evidence of such defect will be repaired or replaced at Regency's option, through an accredited distributor or agent provided that the defective part be returned to the distributor or agent **Transportation Prepaid**, if requested. In areas where there is not an approved service agent or the closest approved service agent is situated more than thirty (30) kilometres from the installation, Regency is not obliged to arrange warranty repairs and travel and/or additional labour charges will apply.

Exclusions:

This limited Lifetime Warranty does not extend to or include paint, door or glass gasketing or trim. It does not cover installation and operational related problems such as over-firing, downdrafts or spillage caused by environmental conditions, nearby trees, buildings, hilltops, mountains, inadequate flueing or ventilation, excessive offsets, negative air pressures caused by insufficient make up air, mechanical systems such as furnaces, fans, clothes dryers etc.

The warranty does not extend to any part or parts which show evidence of misuse or abuse, neglect, accident or lack of maintenance.

Products made by other manufacturers and used in conjunction with the operation of this appliance without authorization from Regency, may nullify your warranty on this product.

Regency Fireplace Products, shall in no event be liable for any special, indirect consequential damages of any nature whatsoever which are in excess of the original purchase price of the product. Any alteration to the unit which causes sooting or carboning that results in damage to the exterior facia is not the responsibility of Regency Fireplace Products.

General:

It is essential that all submitted claims provide all of the necessary information including purchase date, serial #, type of unit and part or parts requested.

DISTRIBUTORS:

Western Australia

Air Group Australia
28-30 Division St.
Welshpool WA 6106
08 9350 2200

Eastern Australia

Fireplace Products Australia PTY. Ltd.
1-3 Conquest Way.
Hallam, VIC 3803
03 97997277

NOTE: PLEASE RETAIN YOUR INVOICE AS PROOF OF PURCHASE FOR WARRANTY VERIFICATION

INCORRECT INSTALLATION OR GAS PRESSURE SETTINGS ARE NOT COVERED BY WARRANTY

A SERVICE OR CALLOUT FEE WILL BE CHARGED IN THESE CIRCUMSTANCES.

Register your Regency® warranty online

www.regency-fire.com.au



Reasons to register your product online today!

- View and modify a list of all your registered products.
- Request automatic email notification of new product updates.
- Stay informed about the current promotions, events, and special offers on related products.
- Help assure you get the most out of your warranty.
- Eliminate confusion and frustration if warranty** service is required in the future.

** Proof of purchase required at time of warranty request.

Installer: Please complete the following information

Dealer Name & Address: _____

Installer: _____

Phone #: _____

Date Installed: _____

Serial No.: _____